

### 1 Unpacking

Open the carton and unpack the items. Your package should include:

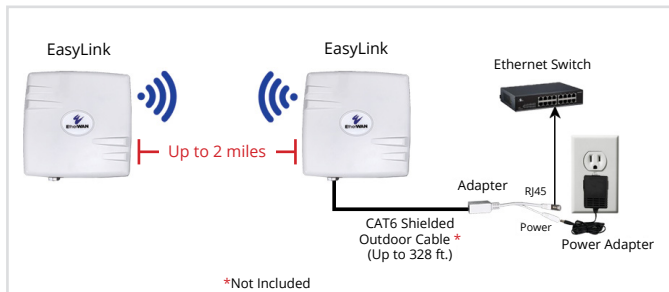
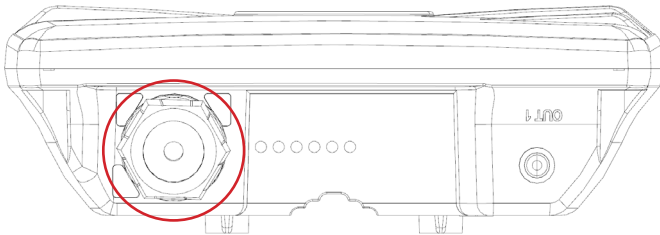
- One EasyLink A outdoor-rated wireless bridge Unit
- One EasyLink B outdoor-rated wireless bridge Unit
- 2 x Passive PoE Injectors
- 2 x Power Supplies
- 2 x Pole Mount kits
- 2 x Wall Mount Poles

If any items are missing or damaged, notify your EtherWAN representative.

### 2 Supplying Power

All EasyLink series models are Passive PoE Powered Devices and have no AC or DC power socket. Power is supplied through an Ethernet cable plugged into the RJ45 port (shown in the figure below). The cable must be connected to an inline PoE power injector (supplied). The maximum power consumption is 10 watts. The Power Supplies that come with the EasyLink are 24VDC, 36W and have been tested over Ethernet up to 328 feet (100 meters) distance. The EasyLink units themselves support DC input from 6-30V for customer supplied power options.

#### RJ-45 PoE Port



### 3 Physical Installation

**NOTE:** It is recommended to test all wireless devices before the final installation. This includes bench testing and signal testing of the EasyLink unit in the positions where they will be mounted. Loosely mount EasyLink units in the intended installation spots and ensure that the transmission signal is strong enough for the intended application.

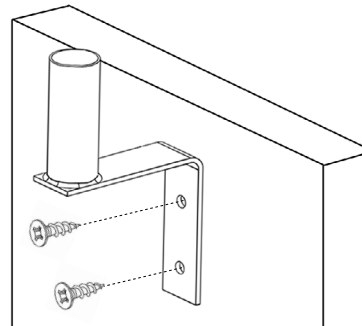
The minimum and maximum recommended distance between EasyLink A and EasyLink B are 100 feet minimum to 2 miles maximum.

This product is designed for outdoor installation on a pole or wall. It is recommended to install the EasyLink at a height of at least 15 feet. A higher mounting position will result in a stronger signal, especially at longer distances. If there are obstacles between the EasyLinks, mount the EasyLinks at a higher distance to avoid the obstacles. Mount the EasyLink with the Ethernet port and LEDs facing down.

The EasyLink Kit comes with two Mounting Options. Pole Mount and Wall Mount.

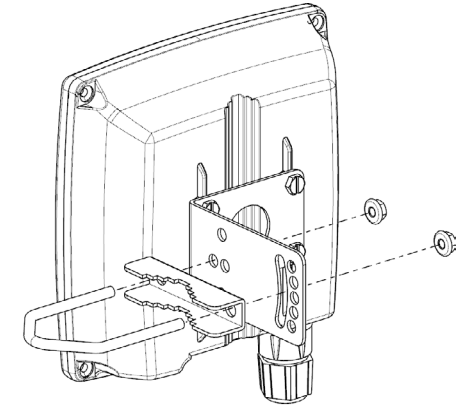
#### Wall Mount

The Wall Mount pole is used when a mounting pole is not already in place. Attach the wall mount pole to the location where the EasyLink will be mounted (see figure below). Be sure to use mounting bolts appropriate for the location the Pole will be mounted. Once the Wall mount Pole is in place, use the EasyLink pole mount kit to attach the EasyLink to the Wall mount pole.



#### Pole Mount

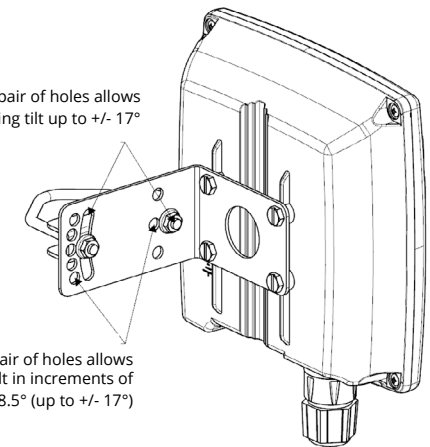
1. Align the four holes on the housing bracket with those on the back face of the housing and use the four screws and lock washers to attach the bracket to the housing.



2. Position the Wireless unit and mount on the pole. Use the supplied U-Bolt and position the Wireless unit as shown in the graphic below. Once the wireless unit is in position, tighten the supplied nuts with washers to the U-Bolt until the Wireless unit is securely attached to the pole.

Using this pair of holes allows freely adjusting tilt up to +/- 17°

Using this pair of holes allows adjusting tilt in increments of 8.5° (up to +/- 17°)



## EasyLink Alignment

Once the EasyLinks are in place, adjust each individual unit to point directly at the opposite unit. The EasyLink Outdoor Bridge indicates Wireless Signal strength using LEDs on the bottom of the unit.

- Left to Right adjustments are made by loosening the Pole mount and turning the unit left or right on the pole to align EasyLink pairs
- Up and Down adjustments are made using the tilt screws in the Pole Mount Kit

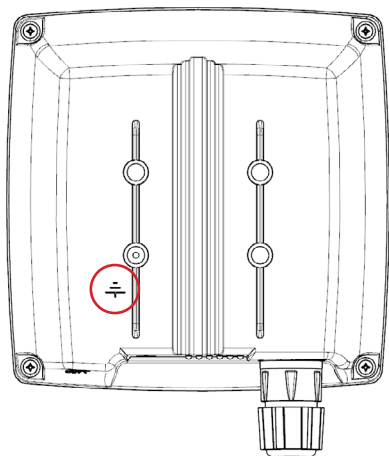
## Led Indicators



- System On LED is on once the unit is booted up and running
- Link activity shows Ethernet Activity
- Signal Strength
  - One LED lit indicates low signal strength.
  - Two LEDs lit indicate medium signal strength.
  - Three LEDs lit indicate high signal strength.
  - Four LEDs lit indicate very high signal strength.

## Grounding

The EtherWAN EasyLink Series is grounded internally to the screw that attaches to the Mounting kit. Attaching the mount to a grounded pole will also ground the Wireless unit.



## Ethernet Cable Requirements

The EasyLink Outdoor Wireless Bridge requires Shielded Ethernet cables for outdoor use.

- Shielded CAT 5e or better
- Shielded Metal RJ45 Connectors
- Grounded Ethernet Switch

Contact your EtherWAN representative for Ethernet cables available designed specifically for the EasyLink and other EtherWAN Wireless devices.

## Surge Protection

In areas with a high incidence of lightning, it is suggested to install surge protection devices on the Ethernet cable, such as the PD1041 hardened surge protection device available from EtherWAN. This will protect the indoor network from damage caused by electrical surges through the data cable. Check your local electrical codes and contact your EtherWAN representative to find out more.

## Ordering Information

### Model

<b>EasyLink-300-US</b>	Wireless Bridge Kit - Two paired Wireless Bridge Units, 2 x 24VDC, 1.5A Power Supplies, 2 x Passive PoE Injectors and 2 x Mounting Kits
<b>EW-JPole18</b>	18" Wall Mount J-Pole
<b>EasyLink-PSU-INJ</b>	Replacement Power Supply and Gigabit Passive PoE Injector for EasyLink Wireless Bridge Series
<b>Cable 25</b>	25' Shielded Twisted Pair CAT 6 Cable with UV Resistant Coating
<b>Cable 50</b>	50' Shielded Twisted Pair CAT 6 Cable with UV Resistant Coating
<b>Cable 150</b>	150' Shielded Twisted Pair CAT 6 Cable with UV Resistant Coating
<b>Cable 300</b>	300' Shielded Twisted Pair CAT 6 Cable with UV Resistant Coating
<b>PWR-H</b>	Hardened Power Supply rated for use in temperatures -40°F to 165°F
<b>PoEPowerEZ</b>	PoE Switch to EasyLink Adapter Hardened -40°F to 165°F (Eliminates the need for a power supply)