

## DATA SHEET

# BIAMP UCC-LENOVO TSC FOR MICROSOFT TEAMS ROOMS



The Biamp UCC Lenovo TSC enhances collaboration in meeting rooms of all sizes. It seamlessly pairs with Parlé Conferencing bars for improved audio and video performance in Huddle, Small and Medium rooms. Integration with Tesira and Devio Room bundles enables exceptional audio quality and advanced conferencing capabilities in larger spaces.

The UC Compute is certified and pre-loaded with Microsoft Teams Rooms, featuring a Biamp-specific device image. This enhances the conference room experience and enables seamless integration with Biamp's Impera room control systems for advanced control capabilities.

Installation and deployment of room systems are streamlined with setup guides and configuration checklists found on Biamp's Cornerstone website. This comprehensive resource, along with Biamp's exceptional support, enables quick setup and turnover of complete room systems.

Elevate your meeting room collaboration with the Biamp UCC-Lenovo TSC - the perfect UC compute solution for seamless integration with Biamp conferencing bars and bundles. Experience the power of smarter technology in any meeting space.

### THINKSMART CORE KEY FEATURES

- Pre-loaded with Microsoft Teams Rooms
- Biamp image on the HDD
- Windows® 11 IoT Enterprise SAC
- Integrated cable management and VESA mounts

### THINKSMART CONTROLLER KEY FEATURES

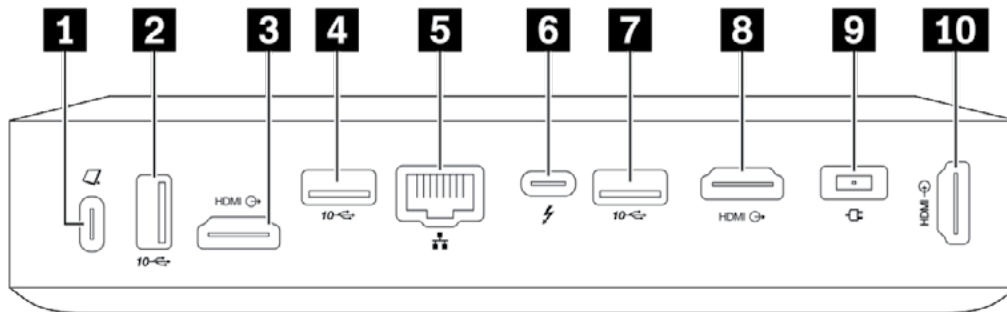
- 10.1" screen size (1280 x 800 resolution)
- Auto-Rotate 30° and 60° viewing angle
- IR Sensors detect presence and turn the system on/off
- Powered via USB-C connection to ThinkSmart Core

### ARCHITECTS & ENGINEERS SPECIFICATION

The UCC-Lenovo TSC shall be supplied to support Microsoft Teams Rooms and include a Biamp-specific device image. The UCC-Lenovo TSC shall consist of a computing device ("UC Compute") and an USB interface touch panel ("UC Controller"). The UC Compute shall have an Intel®i5-1145G7E microprocessor and 16GB of memory, configured with Microsoft Windows 11 IoT Enterprise SAC as the operating system and be pre-loaded with Microsoft Teams Rooms software. The UC Compute shall have mass storage of 256GB. The UC Compute shall have connectivity via 802.11ax WiFi (AKA Wi-Fi 6) and also Bluetooth® Low Energy (LE) 5.0. The UC Compute shall have the following ports: 2x USB-A 3.2 Gen 2; 1x USB-A 3.2 Gen 1; 1x USB-C 3.2 Gen 2; 1x USB-C 3.2 Gen 1 dedicated for the UC Controller; 2x HDMI out; 1x HDMI in; 1x RJ45 ethernet. The UC Compute shall be certified for Microsoft Teams Rooms. The UC Controller shall have a display with diagonal size 10.1" and support 1280x800 resolution at a 16:10 aspect ratio. The UC Controller shall have a display that is touch sensitive and be capable of 10point multi-touch. The UC Controller shall have the following ports: 1x USB-C 2.0; 1x combination audio jack supporting headphones and microphone. The UC Compute and Controller shall be CE marked, UL/cUL listed and shall be compliant with the RoHS directive. Warranty shall be 3 years. The UC Compute and Controller shall be UCC-Lenovo TSC - MTR.

## UC COMPUTE AND CONTROLLER SPECIFICATIONS

<b>UC Compute:</b>		<b>UC Controller:</b>	
<b>Processor:</b>	11th Gen Intel®Core™ vPro® i5-1145G7E	<b>Display:</b>	10.1" (1280 x 800), 16:10 aspect ratio Anti-Fingerprint, Anti-Glare,<340 nits Supports 30° or 60° viewing
<b>Operating System:</b>	Windows 11 IoT Enterprise SAC	<b>Multi-touch:</b>	Supports 10-point touch
<b>Memory:</b>	16BG DDR4-3200, dual-channel	<b>Sensors:</b>	IR sensors for motion detection
<b>Storage:</b>	256GB M.2 SSD	<b>Ports:</b>	1x USB-C (connect to UC Compute; 10m USB-C cable included) 1x 3.5mm headphone/microphone combo jack 1x Kensington Security Slot
<b>Ports:</b>	2x USB 3.2 Gen 2 1x USB 3.2 Gen1 1x Thunderbolt™ 4	<b>Dimensions:</b>	
<b>WLAN:</b>	802.11ax wireless	<b>Width:</b>	10.5 inches (265.5 mm)
<b>Bluetooth:</b>	Bluetooth 5.0	<b>Height:</b>	6.6 inches (168.1 mm)
<b>Ethernet:</b>	Gigabit ethernet	<b>Depth (with stand):</b>	3.3 inches (83.3 mm)
<b>Manageability:</b>	Intel Active Management Technology 15.0	<b>Weight:</b>	1.7 lb (753.8 g)
<b>Security Features:</b>	Kensington Security Slot	<b>Compliance (UC Compute and Controller):</b>	FCC Part 15B (USA) CE marked (Europe) UKCA (Great Britan) UL and cUL listed (USA & Canada)
<b>Power Supply:</b>	90 watts adapter, 100-240V autosensing		
<b>Mounting:</b>	VESA Mount Kit		
<b>Dimensions:</b>			
<b>Width:</b>	8.9 inches (226 mm)		
<b>Height:</b>	1.5 inches (37.5 mm)		
<b>Depth:</b>	7.9 inches (200 mm)		
<b>Weight:</b>	2.4 lb (1.1 kg)		
<b>Operating System:</b>	Window 11 IoT Enterprise SAC 64 bit		



### PORTS

1. USB-C 3.2 Gen 1 (For UC Controller)
2. USB-A 3.2 Gen 1
3. HDMI out
4. USB-A 3.2 Gen 2
5. RJ45 ethernet
6. USB-C (Thunderbolt™ 4)
7. USB-A 3.2 Gen 2
8. HDMI out
9. Power in
10. HDMI in

Biamp strives to improve its products on a continual basis. Specifications are therefore subject to change without notice.

Biamp is a trademark or registered trademark of Biamp Systems, LLC in the United States and other countries. Other product names referenced may be trademarks or registered marks of their respective owners and Biamp Systems is not affiliated with or sponsored by these companies.

