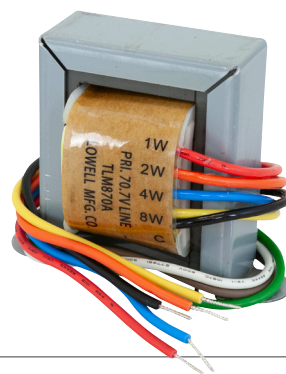


Model No.

TLM-870A

Line Matching Transformer



TRANSFORMER FOR HIGH QUALITY AUDIO SYSTEMS AND GENERAL PURPOSE PAGING APPLICATIONS where wide frequency response, low insertion loss, and high power handling are critical considerations, features an industry standard open housing design and color-coded leads.

FEATURES:

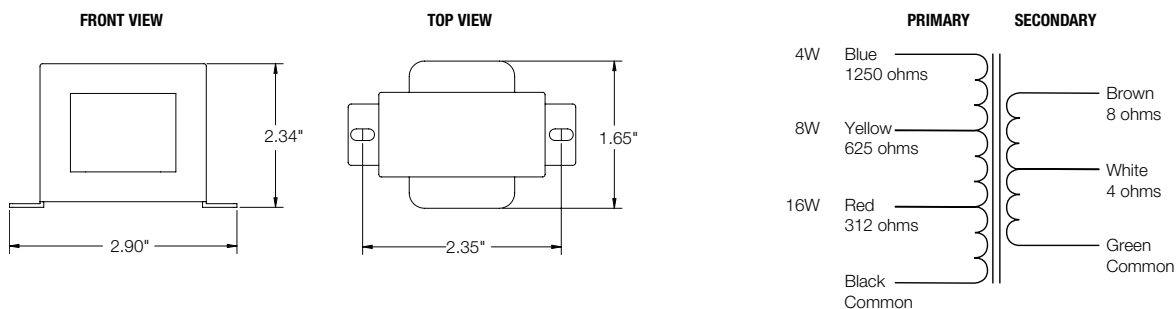
- Primary Voltage: 70V
- Power Rating: 8W
- Primary Taps: 8, 4, 2, and 1W
- Secondary Impedance: 8, 4 ohms
- Insertion Loss: .8dB
- Frequency Response: 50Hz–15kHz \pm 1dB
- Leads: Color-coded
- Lead Length: 8 inches

A&E SPECIFICATIONS:

The line matching transformer shall be Lowell model TLM-870A. Primary voltage shall be 70V with a power rating of 8 watts. Primary taps shall be available at 8, 4, 2, and 1 watts. Secondary impedance taps shall be available at ____ (8, 4) ohms. Taps shall have color-coded leads. Frequency response of the transformer shall be 50Hz–15kHz \pm 1dB with insertion loss not to exceed 0.8dB.

TECHNICAL DRAWINGS:

Dimensions are inches unless stated otherwise.



MODEL SUMMARY

Model No.	Primary Voltage	Power Rating	Primary Taps	Secondary Impedance	Core Size	Insertion Loss	Frequency Response	Lead Length	Color-coded Leads
TLM-870A	70V	8W	8, 4, 2, 1W	8, 4 ohms	.75" x .75"	.8dB	50Hz-15kHz \pm 1dB	8"	standard