



# Pyro S

## Quick Guide

V1.0.0



## Foreword

Thank you for choosing the **Pyro S** wireless high-definition video transmission system. The product adopts the latest codec technology, as well as 2.4 GHz and 5 GHz wireless transmission technology, achieving a super-low latency video transmission.

EN Please read this Quick Guide carefully. We wish you a pleasant experience. To obtain Quick Guide information in other languages, please scan the QR code below.



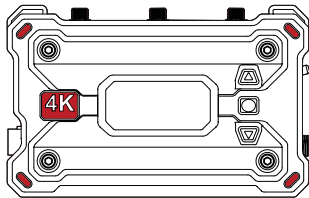
## Key Features

- In Broadcast mode, one transmitter can connect to up to four receivers.
- Wireless transmission on 2.4 GHz and 5 GHz frequency bands.
- Minimum latency of 50ms in an interference-free environment (1080P60\*).
- 1,300ft (400m)\* LOS range (Connection to the app may affect the range).
- 650ft (200m)\* LOS range (in Broadcast mode).
- Transmitter supports HDMI Input (4K30) and SDI Input (1080P).
- Receiver supports HDMI Output (4K30) and SDI Output (1080P).
- Flexible power supply options, including DC (locking) and NP-F batteries.
- Transmitter supports streaming via a wireless network card.
- Receiver supports USB Video Class (UVC).
- Upon startup, a quality frequency channel will be automatically chosen. Frequency scan function on the receiver can display the current frequency status, allowing you to choose a desired channel.

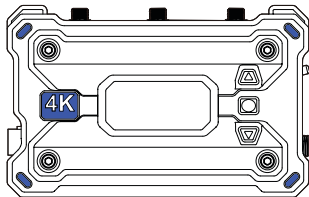
\* The related data is based on Hollyland laboratory test results.

# Configuration

1



2



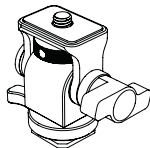
3



4



5



6



7



8



9



## Configuration

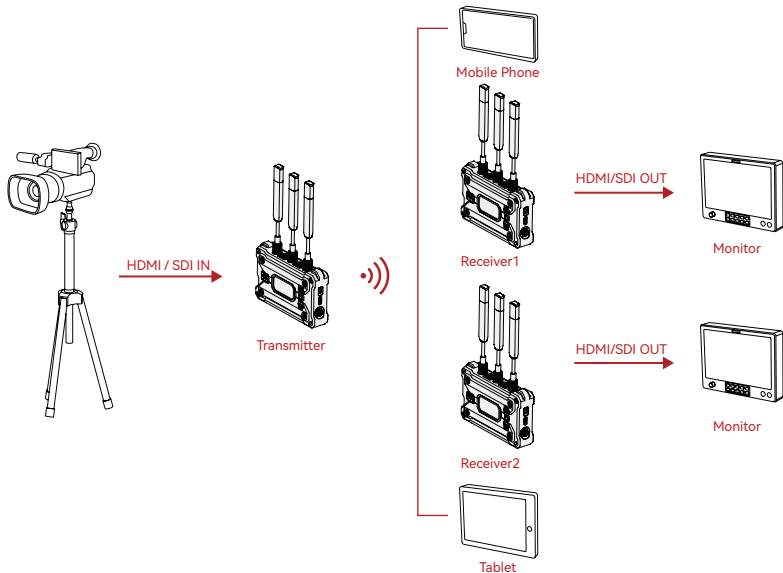
SKU	1TX & 1RX	1TX	1RX
① Transmitter (TX)	1	1	-
② Receiver (RX)	1	-	1
③ Paddle Antenna (2.4 GHz & 5 GHz)	7	3	3
④ USB-C OTG Adapter	1	1	1
⑤ Rotatable Cold Shoe Mount	1	1	-
⑥ Quick Guide & Packing List Card	1	1	1
⑦ Warranty Card & Compliance Information	1	1	1
⑧ 12V/2A DC Power Adapter	1	-	1
⑨ Screw Fitting for Stabilizer	-	-	-

Note:

1. The quantity of the items depends on the product configuration detailed on the packing list card.
2. You can buy a transmitter, receiver, paddle antenna, rotatable cold shoe mount, DC power adapter, and screw fitting for stabilizer from Hollyland's official website based on your needs.

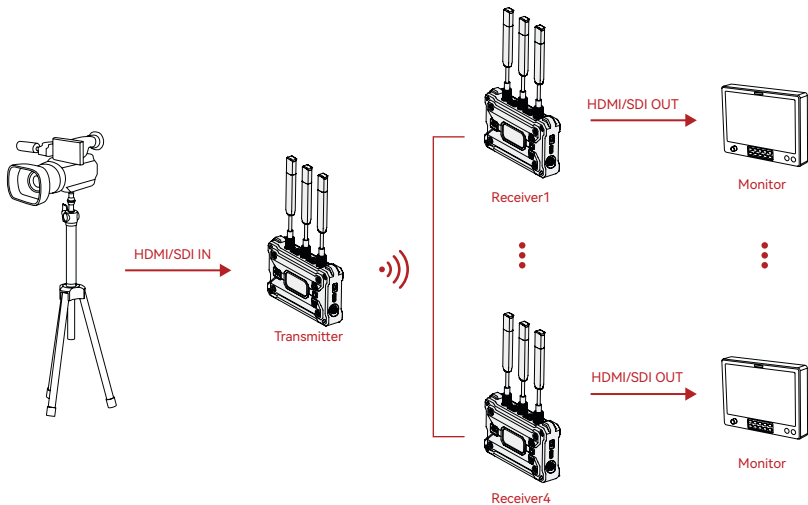
# Connection

- One transmitter can connect to two receivers and two mobile devices



## Connection

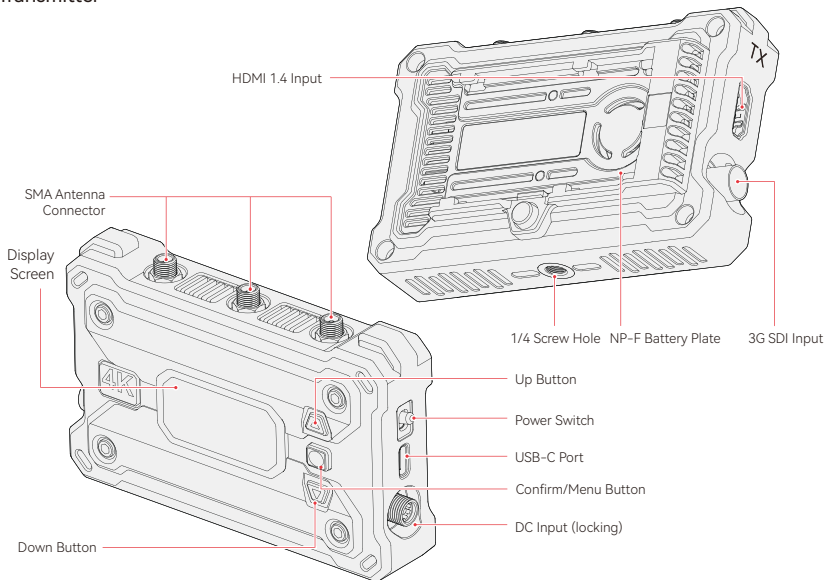
- One transmitter can connect to up to four receivers in Broadcast mode





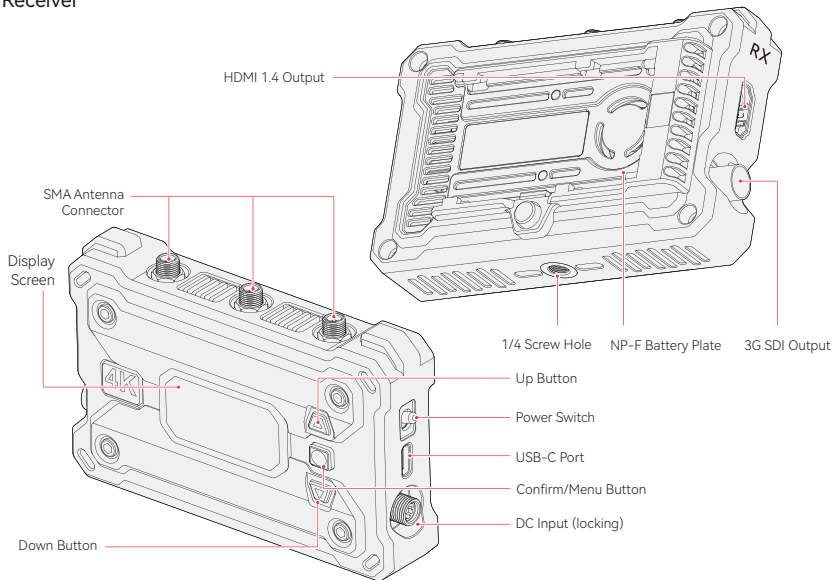
# Overview

## Transmitter



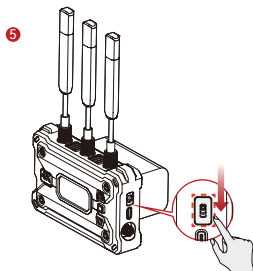
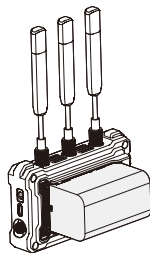
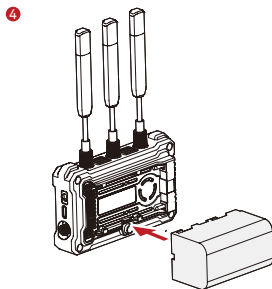
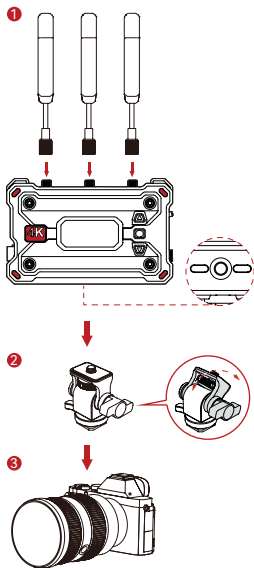
# Overview

## Receiver



# Installation

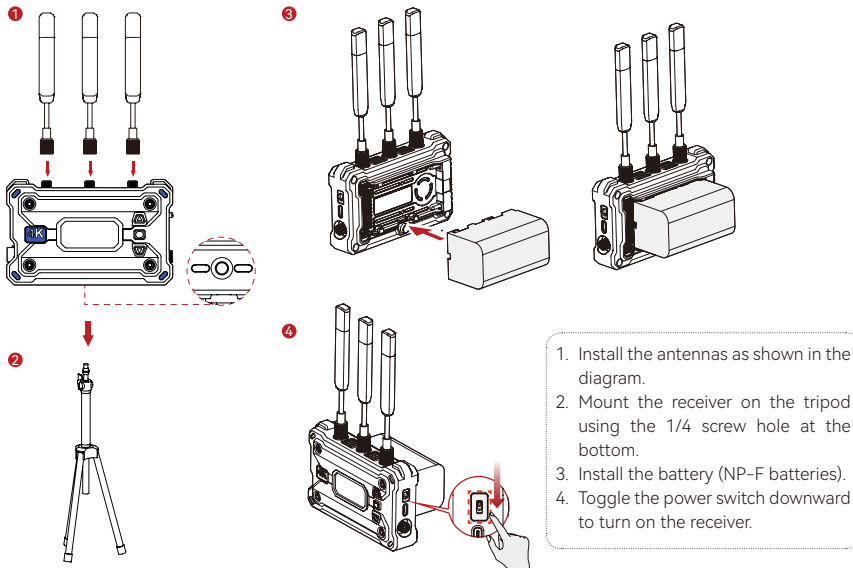
## Transmitter



1. Install the antennas as shown in the diagram.
2. Mount the transmitter to the camera using the rotatable cold shoe mount.
3. Connect the transmitter to the camera using an HDMI cable or SDI cable.
4. Install the battery (NP-F batteries).
5. Toggle the power switch downward to turn on the transmitter.

# Installation

## Receiver

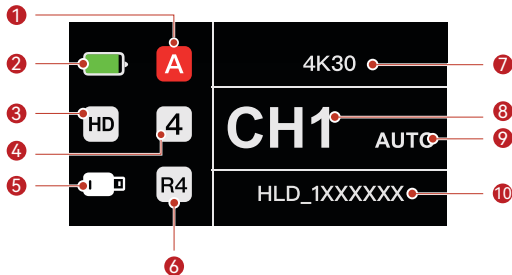


1. Install the antennas as shown in the diagram.
2. Mount the receiver on the tripod using the 1/4 screw hole at the bottom.
3. Install the battery (NP-F batteries).
4. Toggle the power switch downward to turn on the receiver.

# Interface Introduction

## Home Screen Introduction

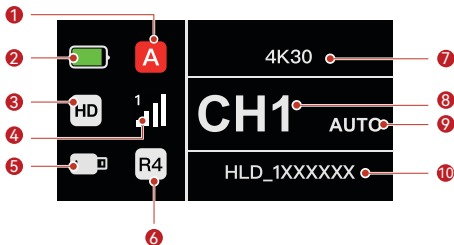
### Transmitter



① Current Group	⑥ Broadcast Mode
② Battery Level	⑦ Resolution & Frame Rate
③ Scene Mode	⑧ Frequency Channel
④ Number of Connected Receivers	⑨ Auto Frequency Hopping*
⑤ USB-C Port Status (different icons in different statuses)	⑩ Wi-Fi Network

# Interface Introduction

## Receiver



① Current Group	⑥ Broadcast Mode
② Battery Level	⑦ Resolution & Frame Rate
③ Scene Mode	⑧ Frequency Channel
④ Connection Number & Signal Strength	⑨ Auto Frequency Hopping*
⑤ USB-C Port Status (different icons in different statuses)	⑩ Wi-Fi Network

\* When you switch to the AUTO interface, press the menu button to activate the Auto Frequency Hopping function for automatic channel changes during interference. In Broadcast mode, it takes less than a second to change the channel. Otherwise, it takes a little longer.

## Entering the Menu

Press and hold the menu button for 3 seconds to enter the menu. Press the up and down buttons to select the function and press the menu button to confirm.

# Functions Introduction

## Transmitter functions description



### Scene Mode

Provides different scene modes to meet your needs.



### HD Mode

Bitrate at up to 12 Mbps for high-definition transmission.



### Smooth Mode

Longer transmission range with latency as low as 60ms.



### Broadcast Mode

If enabled, one transmitter can connect to up to four receivers. (app connection not allowed in this mode)



### Group Pairing

Transmitter and receivers in the same group automatically pair.



### Fan Settings

Provides different fan modes to meet your heat dissipation needs.



### System Settings

Views device-related information and configures settings.



### Frozen Frame

Controls whether the last frame after a transmission interruption is the final frame from the signal source.



### Net Information

Views Wi-Fi information.



### Reset

Resets to default settings.



### Language

Switches the language between Chinese and English.



### Version Information

Views version-related information.

# Functions Introduction

## Receiver functions description



### Frequency Scan

Views the current interference status, allowing you to choose a desired channel.



### Group Pairing

Transmitter and receivers in the same group automatically pair.



### Fan Settings

Provides different fan modes to meet your heat dissipation needs.



### System Settings

Views device-related information and configures settings.



### Net Information

Views Wi-Fi information.



### Reset

Resets to default settings.



### Language

Switches the language between Chinese and English.



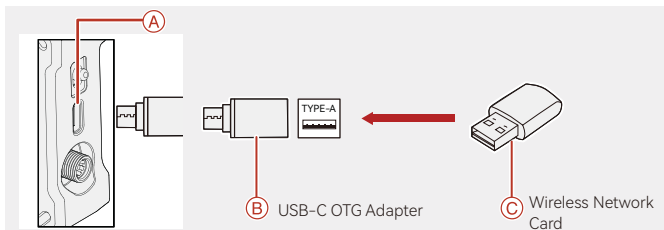
### Version Information

Views version-related information.



# Streaming Introduction

## Transmitter Network Streaming Introduction



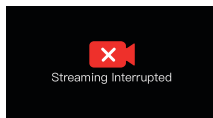
1. Connect the wireless network card to the transmitter using the USB-C OTG Adapter.
2. Observe whether there is any change in the USB-C icon.



Network Connected



Streaming



Streaming Interrupted

3. Enter the streaming address through the Hollyview app, and start streaming.

# HollyView App

## ■ App Download and Connection

### 1. Hollyview download

The app HollyView is available for download on Hollyland's official website. Android users can download the app from the Google Play Store and other App Stores, while iOS users can download it from the App Store.



### 2. Connection

To connect to the transmitter, access the Wi-Fi connection interface on your mobile phone, tap the one named HLD plus device ID number, and enter the password (default password: 12345678).

## Specifications

	Transmitter	Receiver
Port	<ul style="list-style-type: none"> <li>• DC Input: 2.0mm Core Socket</li> <li>• HDMI Input: HDMI 1.4b</li> <li>• SDI Input: 3G SDI</li> <li>• USB-C: USB 2.0 OTG</li> <li>• Antenna: SMA Male</li> </ul>	<ul style="list-style-type: none"> <li>• DC Input: 2.0mm Core Socket</li> <li>• HDMI Output: HDMI 1.4b</li> <li>• SDI Output: 3G SDI</li> <li>• USB-C: USB 2.0 OTG</li> <li>• Antenna: SMA Male</li> </ul>
Power Supply	<ul style="list-style-type: none"> <li>• Battery Voltage Range: 6.8 - 8.4V</li> <li>• DC Voltage Range: 6 - 16V</li> </ul>	<ul style="list-style-type: none"> <li>• Battery Voltage Range: 6.8 - 8.4V</li> <li>• DC Voltage Range: 6 - 16V</li> </ul>
Power Consumption	<11W	<8W
Net Weight	207g	207g
Dimensions	L × W × H: 112 × 71.2 × 34.1mm (4.4 × 2.8 × 1.3in.)	
Operating Frequency	<ul style="list-style-type: none"> <li>• <b>5 GHz Frequency Band</b></li> <li>5.150 - 5.250 GHz</li> <li>5.250 - 5.350 GHz</li> <li>5.470 - 5.725 GHz</li> <li>5.725 - 5.850 GHz</li> </ul>	<ul style="list-style-type: none"> <li>• <b>2.4 GHz Frequency Band</b></li> <li>2.412 - 2.484 GHz</li> </ul>
Transmit Power	< 23 dBm	/
Receiver Sensitivity	/	-85 dBm (Broadcast: -80 dBm)
Latency	as low as 50ms	
Bandwidth	20 MHz (Broadcast: 40 MHz)	
Temperature	-10 - 45°C (working) -40 - 60°C (storage)	

## Specifications

HDMI Input	HDMI Output	SDI Output
720p50/59.94/60	720p50/59.94/60	720p50/59.94/60
1080i50/59.94/60	1080i50/59.94/60	1080i50/59.94/60
1080p23.98/24/25/29.97/30	1080p23.98/24/25/29.97/30	1080p23.98/24/25/29.97/30
1080p50/59.94/60	1080p50/59.94/60	1080p50/59.94/60
3840*2160 30/25/24/29.97/23.98	3840*2160 30/25/24/29.97/23.98	1080p30/25/24/29.97/23.98

SDI Input	SDI Output	HDMI Output
1080p60/59.94/50	1080p50/59.94/60	1080p50/59.94/60
1080i60/59.94/50	1080i50/59.94/60	1080i50/59.94/60
1080p30/29.97/25/24/23.98	1080p23.98/24/25/29.97/30	1080p23.98/24/25/29.97/30
720p60/59.94/50	720p50/59.94/60	720p50/59.94/60
1080psf23.98/24	1080p23.98/24	1080p23.98/24
1080psf25/29.97/30	1080i50/59.94/60	1080i50/59.94/60

\* Note: Due to differences in various countries and regions, there may be variations in the operating frequency bands and wireless transmit power of the product. For details, please refer to local laws and regulations.

# Support

If you encounter any problems in using the product or need any help, please contact Hollyland Support Team via the following ways:



Hollyland User Group



HollylandTech



HollylandTech



HollylandTech



support@hollyland.com



www.hollyland.com

## Statement:

All copyrights belong to Shenzhen Hollyland Technology Co., Ltd. Without the written approval of Shenzhen Hollyland Technology Co., Ltd., no organization or individual may copy or reproduce part or all of any written or illustrative content and disseminate it in any form.

## Trademark Statement:

All the trademarks are owned by Shenzhen Hollyland Technology Co., Ltd.

## Note:

Due to product version upgrades or other reasons, this Quick Guide will be updated from time to time. Unless otherwise agreed, this document is provided as a guide for use only. All representations, information, and recommendations in this document do not constitute warranties of any kind, express or implied.





# **HOLLYVIEW**

Powered by Hollyland

**Manufacturer:** Shenzhen Hollyland Technology Co., Ltd.  
**Address:** 8F, 5D Building, Skyworth Innovation Valley, Tangtou  
Road, Shiyan Street, Baoan District, Shenzhen, 518108, China  
**MADE IN CHINA**

P/N : 3003080469