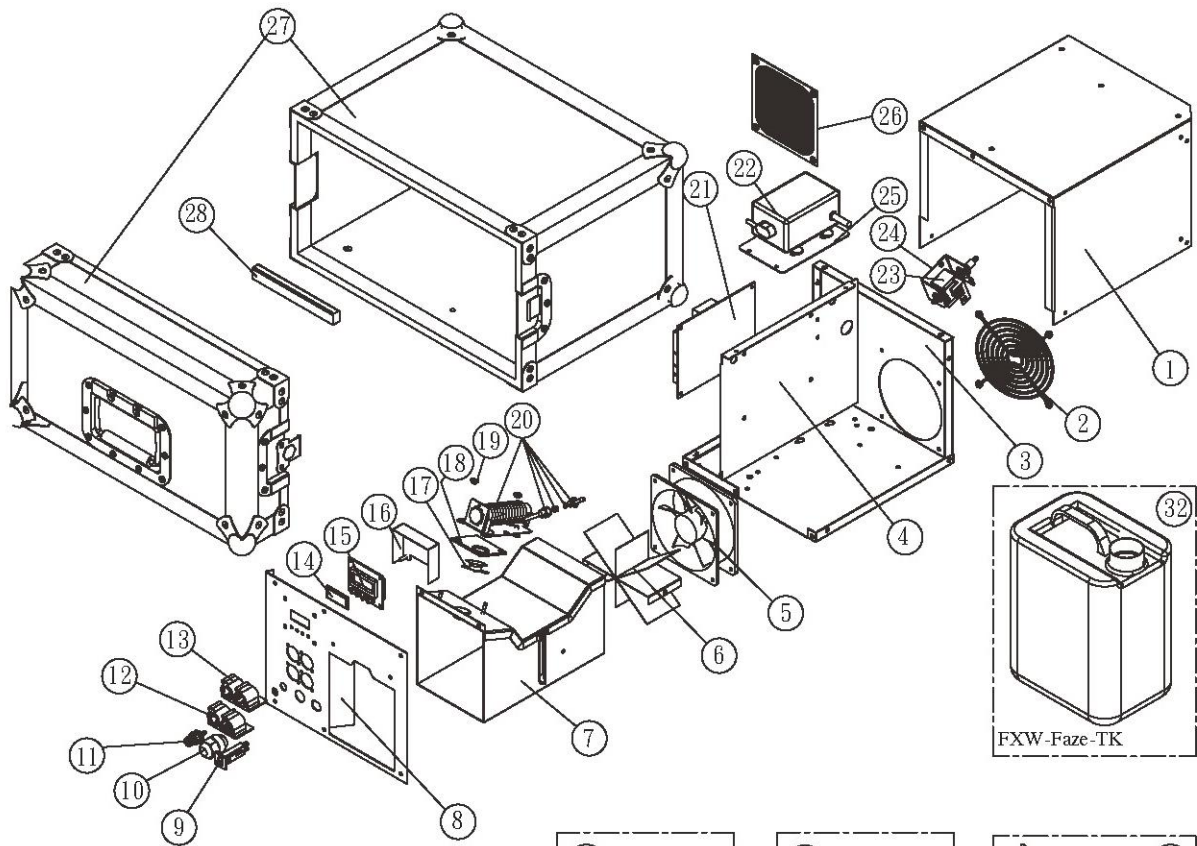


FXWORKS

FXW-FAZE USER MANUAL





FXWORKS

FXW-FAZE

- ① Chassis Cover
- ② Fan Guard
- ③ Chassis Base
- ④ Division Plate
- ⑤ Fan
- ⑥ Air Deflector
- ⑦ Air Duct
- ⑧ Chassis Front Plate
- ⑨ Breaker 7A 250V
- ⑩ Strain Relief
- ⑪ Tube Fitting
- ⑫ 5 Pin DMX PCB
- ⑬ 3 Pin DMX PCB
- ⑭ Acrylic Plate
- ⑮ LCD PCB
- ⑯ LCD PCB Back Cover

- ⑰ Thermostat
- ⑱ Insulation Plate
- ⑲ Insulation Washer
- ⑳ Heater Set
- ㉑ Main PCB
- ㉒ Air Pump
- ㉓ Pump
- ㉔ Pump Mounting Bracket
- ㉕ Air Pump Mounting Plate
- ㉖ Fan Filter
- ㉗ Flight Case
- ㉘ Tank Guard
- ㉙ Fluid tube with connector
- ㉚ Tank Cap Set
- ㉛ Power Cord
- ㉜ Tank



Thank you for selecting the FX WORKS products. For the safety reason and in order to experience the best performance, please read and follow the instructions.

Please follow these operation, safety and maintenance instructions to ensure a long and safe life for your fog machine.

INTRODUCTION

Thank you for selecting the FXW-FAZE by FX WORKS. This machine has been designed to perform reliably and efficiently for years when the guidelines in this manual are followed. Please read and understand the instructions in this manual carefully and thoroughly before attempting to operate this unit. These instructions contain vital safety information regarding the proper use and maintenance of your faze machine.

Immediately upon unpack your unit, check the content to ensure that all parts are present and have been received in good condition. If any parts appear damaged or mishandled from shipping, notify the shipper immediately and retain the packing material for inspection.

What is included:

- 1 x FXW-Faze
- 1 x Warranty Card
- 1 x Fluid Tank
- 1 x User Manual (This booklet)

OPERATIONAL HAZARDS



Pay attention to all warning labels and instructions printed on the exterior of your Fog Machine

Danger of Electric Shock

- Keep this device dry. To prevent the risk of electric shock do not expose this unit to rain or moisture.

- This machine is intended for indoor operation only and is not designed for outdoor use. Use of this machine outside will void the manufacturer's warranty.
- For 120v models; use a properly rated 3-prong grounded electrical outlet only. Prior to use, check the specification label carefully and ensure correct power is sent to the machine.
- Do not attempt to operate this unit if the power cord has been frayed or broken. Do not attempt to remove or break off the ground prong from the electrical cord, this prong is used to reduce the risk of electrical shock and fire in case of an internal short.
- Unplug main power before filling the fluid tank.
- Keep machine upright during normal operation.
- Turn off and unplug the machine, when it is not in use.
- The machine is not waterproof. If the machine gets wet, stop using it and immediately unplug main power.
- No user serviceable parts inside. If service is in need, contact your FX-Works dealer or a qualified service technician.


Danger of Burns

- Never point or aim this machine towards any person. This unit emits extremely hot vapor and can reach temperatures of 300°C (600°F)
- Keep nozzle at least 50cm (20 inch) away from contacting anything while in operation.
- For adult use only. Machine must be placed out of the reach of children. Never leave the machine running unattended.
- Locate the machine in a well-ventilated area. Never block the unit's ventilation. Allow for at least 20cm (8 inch) space around the machine during normal operation.
- Allow the machine to cool to room temperature, if cleaning or maintenance must be performed.

Danger of Explosion

- Never add flammable liquids of any kind (oil, gas, perfume) to the fog liquid.
- Only use water-based fog fluids recommended by the machine's manufacturer. Always be sure there is sufficient fog fluid in the tank before operating. Operating this unit without fluid can cause damages to the pump and the heater.
- If machine fails to work properly, discontinue operation immediately. Empty the fluid tank and pack the unit securely (preferably in the original packing box), and return it to your dealer for inspection.
- Empty fluid tank before transporting machine.

Health Risk

- Always use in well ventilated environment
- Fog fluid may present health risks if swallowed. Do not drink fog fluid. Store it securely. 
- In case of eye contact or if fluid is swallowed, immediately seek medical advice.
Never add flammable liquids of any kind (oil, gas, perfume) to the fog liquid. Only add approved fog fluid scents when needed.

PRODUCT OVERVIEW



SET-UP - BASIC OPERATION

Step 1: Place the FXW-Faze on a suitable flat surface. Be sure to allow at least 50cm of space around the unit for proper ventilation.

Step 2: Fill the fluid tank with an approved FX Works water based fog fluid. Never use an oil based haze fluid in this unit. Doing so will clog the heater core and void the manufactures warranty.

Step 3: Connect the unit to an appropriately rated power supply. To determine the correct power requirement for the unit, please refer to the power label printed on the back of the unit.

Note: *This unit is not equipped with a universal voltage power supply. Connecting this unit to an incompatible power supply will damage your unit and void the manufactures warranty.*



Always connect the machine to a properly grounded outlet to avoid the risk of electric shock.

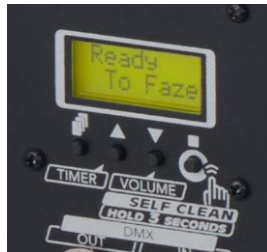
Step 4: Once power is applied to the unit it will immediately begin to warm-up to the proper operating temperature. After the initial warm-up time of about 1.5 minutes the unit will be ready for normal operation.

Step 5: Once the machine has reached operating temperature, the LCD will display “Ready to Faze” and the machine will be ready to operate. To start making haze, locate and tap the **Volume** button on the control panel. Use the “UP” and “DOWN” button to control the amount of haze output from 1% to 100%.

Step 6: To turn off or stop the haze output, simply tap and release the **Stop** button. Tapping the **Volume** button will return the unit to its last haze output setting and the unit will immediately begin to make haze once again.

Step 7: To turn-off the unit, press and hold down the **Stop** button for at least three seconds. This will immediately begin the self-cleaning and shut down process. During this process the unit will purge the heater core of any residue fluid for about three minutes. After the purging process is complete the unit will automatically shut down and put itself in state of hibernation. Simple press the **Volume** button to “wake” the unit and return it operational status.

ADVANCED OPERATION



Button	Function
[MENU]	Scroll through setting menu
▲ [UP]/[TIMER]	Up/Activate Timer function
▼ [DOWN]/[VOLUME]	Down/Activate Volume function
[STOP]	Deactivate Timer/Volume function

ELECTRONIC MENU – The illustration below detail the varios menu commands and adjsutable settings.

Interval
Set 999s

This is the predetermined amount of time in between haze output blast when the electronic timer is activated. The interval can be adjusted from 1 to 999 seconds.

Duration
Set 999s

This is the amount of time the unit will haze when the electronic timer function is activated. The duration can be adjusted from 1 to 999 seconds.

Timer
Out 100%

This function sets the haze volume output when the electronic timer is activated. The timer volume output can be adjusted from 1 to 100%

Volume
Out 100%

This function set the haze volume output when the unit is running in manual mode, as described in basic operation. The haze volume can be adjusted from 1 to 100%

Fan
Out 100%

The function adjust the fan volume. The fan volume determines the “push” or distance the haze will travel from the machine. The fan volume adjust from 20 to 100%

DMX512
Add. 511

This function sets the units DMX for operating in DMX mode.
The address can adjusted from 1 to 511

DMX Mode
1Ch

The function will change the DMX operation mode from either either one or two channels. For more details see DMX Operation in the next section.

Quick
Start OFF

This function will activate or deactivate the quick-start feature. The quick start features remebers the last timer and manual setting used and automatically enters those setting when a unit is powered on.

Info
Ver: 1.0

This menu functions details the current machine firmware.

ELECTRONIC TIMER OPERATION –

To operate the unit with the built-in electronic timer, simply tap and release the “Timer” button after the unit has warmed up to normal operating temperature. You can then use the “Interval,” “Duration,” and “Timer Out” commands to adjust to the desired timer output settings.

DMX OPERATION –

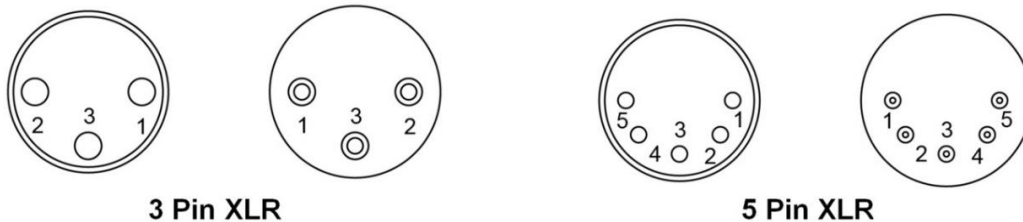
The unit automatically senses DMX when an active DMX signal is plugged into the unit.

To run the unit in DMX mode;

- 1) Insert a 3-pin or 5-pin DMX cable to a DMX Input Jack on the face of the unit.
- 2) Select the desired DMX operation mode by accessing the “DMX Mode” function in the menu and selecting either one or two channel operation.
- 3) Next, select the desired DMX address by selecting the “DMX512” function in the menu. Use the up and down arrow buttons to make your address selection. Once the unit has reached normal operating temperature and a DMX signal is received, the unit will react to the DMX commands sent from a DMX controller.

DMX Connector Pin Assignment

The machine provides a 3- or 5-pin XLR connector for DMX connection. The diagram below indicates pin assignment information.



Pin	Function
1	Ground
2	Data-
3	Data+
4	N/A
5	N/A

DMX Operation

Making the DMX Connection – Connect the machine to a DMX controller or to one of the machines in the DMX chain. The machine uses a 3-pin or 5-pin XLR connector for DMX connection, the connector are located on the front of the machine.



DMX Channel Function

Channel Mode	Channel	Value	Function
2	1	0-5	Faze off
		6-255	Faze 1-100%
1	1	0-5	Faze off Fan 100%
		6-255	Faze 1-100% Fan 100%
Sync	1	0-5	Faze Off Fan 20%
		6-255	Faze 1-100% Fan 21 – 100%

RECOMMENDED FLUID



FLX-4



FLX-20

All FX Works products should only be used with the appropriate specified fluid and fluid type. The use of non-recommended fluids will void the manufactures warranty.

The FXW-Faze requires FX Works FLX-4 or FLX-20 water-based fog fluid.

SPECIFICATIONS

Model:	FXW-Faze
Input Voltage:	AC 100-120V, 50/60 Hz
Heater Rated Power:	1000W
Fluid Type:	FLX-4 or FLX-20 water-based fog fluid
Fuse:	100-120VAC – 10A/250V
Warm-up Time:	1.5 min
Fluid Consumption Rate:	6.5 ml/min (100% output)
Tank Capacity:	5 Liters
DMX Channels:	2 Channels
Dimensions:	L424.1 x W380 x H233.6 mm
Weight:	14.7 kg

WARRANTY

The FXW-Faze comes with a one year (365 days) limited factory warranty from FX Works. Details of the warranty coverage are specified with the included warranty card. Should you ever need warranty service, please contact your dealer or an authorized FX Works service center. All returned service items whether under warranty or not, must be freight pre-paid and accompany a return merchandise authorization (RMA) number. The RMA number must be clearly noted on the outside of the return package. A brief description of the problem as well as the RMA number must also be included in the inside the returning package. If the unit is under warranty, you must provide a copy of your proof of purchase invoice to validate your purchase. You may obtain a RMA number by contacting customer support at (951) 373-7600 x 1007.

DISCLAIMER

©FX Works all rights reserved. Information, specifications, diagrams, images, and instructions herein are subject to change without notice. FX Works and Antari Lighting and Effects Ltd. logos, identifying product names, and numbers herein are trademarks of Antari Lighting and Effects Ltd. Copyright protection claimed includes all forms and matters of copyrightable materials and information now allowed by statutory or judicial law or hereinafter granted. Product names and models used in this document may be trademarks or registered trademarks of their respective companies and are hereby acknowledged. Any non-FX Works and Antari Lighting and Effects Ltd. brands and product names are trademarks or registered trademarks of their respective companies.

Antari Lighting and Effects Ltd. and all affiliated companies hereby disclaim any and all liabilities for personal, private, and public property, equipment, building, and electrical damages, injuries to any persons, and direct or indirect economic loss associated with the use or reliance of any information contained within this document, and/or as a result of the improper, unsafe, insufficient and negligent assembly, installation, rigging, and operation of this product.



COBFA0001