



# MI-909

## Digital Wireless Stereo IEM System





# Industry's first

## Digitally Encrypted Wireless Stereo IEM System

MI-909 is a professional quality wireless IEM system designed to replace the bulky floor wedges, amplifiers, and mixing consoles used in traditional monitoring, enabling freedom of movement on stage with improved and consistent sound quality. Featuring transmission reliability superior to that of analog systems, the MI-909 has an enhanced S/N ratio and dynamic range, providing crystal-clear audio quality via DSP technology that clearly outperforms the competition.

Key components of the MI-909 IEM system include the MI-909R ultra-compact bodypack receiver and the MI-909T half-rack transmitter. Simple to use and easy to operate.



# MI-909 Digital Wireless Stereo IEM System

## MI-909R UHF Digital Stereo Bodypack Receiver

### Front Panel



### Rear Panel



### Top View



### Battery Insertion



## MI-909R UHF Digital Stereo Bodypack Receiver

### Features

1. Lightweight and rugged case.
2. A wideband digital encryption stereo receiver with digital diversity receiving and soft dual-antenna design for comfortable wearing and RF reliability.
3. Selectable stereo, mono & mixed output modes.
4. EQ settings for preferable sound mode.
5. User-friendly control panel for fast and easy setting.
6. 3.5 mm TRS jack for two optional MIPRO noise-isolating earphones.
7. 16 preset groups with a total of 216 pre-saved channels. User can choose and save custom channel from 2,560 available frequencies.

### Specifications

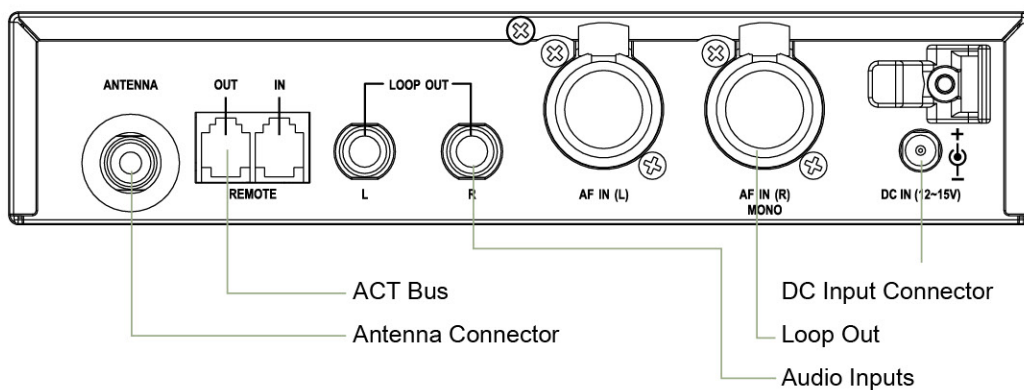
Housing	Composite of various material
Display	Backlit LCD
Frequency Band	UHF 470 – 639 MHz, 705 – 960 MHz (country dependent)
Bandwidth	64 MHz
Modulation Type	Digital modulation
Channel Setting	ACT™ sync
Receiving Mode	Digital diversity receiving
Frequency Response	20 Hz – 15 kHz (stereo)
Stereo Separation	> 95 dB
S/N Ratio	95 dBA (stereo)
THD	< 0.1% @ 1 kHz
Sensitivity	10 µV input level, S/N > 90 dB
Earphone Jack	3.5 mm TRS
Output Power	Left/Right × 120 mW @ 16 Ω
Power Supply	2 AA alkaline
Current Consumption	Approx. 170 mA
Operating Time	Approx. 6 to 8 hours (depending on volume level)
Operating Temperature	-10 °C – +60 °C
Optional Accessories	E-8P or E-8S earphones
Dimensions	63 × 82 × 23 mm (W × H × D)
Weight	Approx. 95 g
Note	Refer to the actual product in the event of product description discrepancy

# MI-909 Digital Wireless Stereo IEM System

## MI-909T UHF Digital Stereo Transmitter



### Rear Panel



# MI-909 Digital Wireless Stereo IEM System

## MI-909T UHF Digital Stereo Transmitter

### Features

1. Free Scan function selects an open, interference-free transmitter frequency and ACT syncs the transmitter and receiver frequencies automatically.
2. Selectable HI, LOW or OFF (mute) output power.
3. 16 preset groups with a total of 216 pre-saved channels. User can choose and save custom channel from 2,560 available frequencies.
4. Stereo combo jack with high dynamic range is able to withstand the maximum output level of any professional audio mixers.
5. Built-in DSP has 3-band,  $\pm 9$ -dB EQ settings for optimal audio quality.
6. Selectable encryption keys with scroll or static setting for single or multiple receivers.
7. ACT-BUS networking interface.

### Specifications

Chassis	EIA standard half-rack (9.5") metal case with a rotary control knob
Display	LCD screen displays all functions and settings. Dual rows of LED indicators
Frequency Band	UHF 470 – 639 MHz, 705 – 960 MHz (country dependent)
Preset Channels	12 interference-free frequencies without any limited conditions in group 1-10. 16 interference-free frequencies in group 11-16. 216 preset frequencies in total.
Channel Setting	ACT™ sync
RF Power	Low: < 10 mW, High: < 100 mW switchable (country dependent)
Modulation Type	Digital modulation
Spurious Emission	< 4 nW
Frequency Response	20 Hz – 15 kHz (stereo)
Dynamic Range	112 dBA
THD	< 0.1% @ 1 kHz
Audio Input	2 × XLR / 6.3 mm TRS combo socket
Max. Input Level	> +26 dBu. Selectable Line / Mic level
Audio Output	2 × 6.3 mm TRS (Loop Out)
Earphone Output	6.3 mm TRS with volume control
Antenna Output	50 $\Omega$ TNC female connector
Power Supply	DC 12 – 15 V, AC 100 – 240 V
Dimensions	210 × 44 × 206 mm (W × H × D)
Weight	Approx. 1.1 kg
Note	Refer to the actual product in the event of product description discrepancy

# MI-909 Digital Wireless Stereo IEM System

## High Performance Isolation Earphones

### E-8S

#### Standard In-ear Stereo Earphones



### Features

1. Built with flexible and comfortable cable for a custom fit and comfort.
2. Provides excellent isolation.
3. Replaceable silicone ear sleeves are available in three sizes for personal fit.

### Specifications

Sensitivity	> 103 dB SPL
Frequency Response	15 Hz – 20 kHz
Impedance	16 $\Omega$
Noise Isolation	> 26 dB
Weight	Approx. 14 g
Note	Refer to the actual product in the event of product description discrepancy

### E-8P

#### Professional In-ear Stereo Earphones



### Features

1. High efficiency dual-dynamic coaxial driver.
2. The detachable, flexible and high quality twisted cable features ergonomic fit, comfort, invisibility and brilliant performance.
3. Provides excellent isolation.
4. Replaceable silicone ear sleeves are available in three sizes for personal fit.

### Specifications

Sensitivity	> 106 dB SPL
Frequency Response	15 Hz – 22 kHz
Impedance	16 $\Omega$
Noise Isolation	> 26 dB
Weight	Approx. 19 g
Note	Refer to the actual product in the event of product description discrepancy



**MIPRO Electronics Co., Ltd**

Headquarters: No. 814, Beigang Rd., Chiayi City 600079, Taiwan  
TEL: +886-5-238-0809 FAX: +886-5-238-0803  
[www.mipro.com.tw](http://www.mipro.com.tw) [mipro@mipro.com.tw](mailto:mipro@mipro.com.tw)