



Relays include an attached power supply with NEMA 1-15 plug, plus three adaptors for use in areas outside North America.



The RY-P1 relay features a labor-saving design with “pass-through” RJ45 jacks for quick connections to a sequencer, remote power control, or another relay module. Featuring DPDT relays and contacts that can be used to switch any AC or DC load, up to 5A.

### FEATURES

- **Chassis:** 5"L x 1.69"H x 3.28"W steel chassis with black finish and mounting holes.
- **Relay Contacts:**
  - 1 DPDT relay
  - Switch any load, AC or DC, up to 5A
  - Relays are activated by sequencer SEQ-P4 or SEQR-P4 (order separately)
  - Relay contact rating: 5A, 250VAC/30VDC
  - Relay includes a test switch for troubleshooting.
- **Voltage Outputs:**
  - 5VDC, 12VDC, 24VDC independent outputs (500mA total)
  - Outputs can be used to control any device requiring a DC voltage trigger.
- **Quick-Connections:** RJ45 jacks connect to any SEQ-P Series (sequencer), RY-P Series (relay module), or RPC-P Series (remote power control), using Cat5 or Cat6 cable.
- **Activation:** The RY-P Series is activated by an external SEQ-P Series (sequencer, order separately). The relay has a DIP switch to select the sequencing step.
- **Origin:** Made in the U.S.A. with domestic and global components.
- **Power Supply:** Includes UL Listed power supply (100-240VAC input, 24VDC 500mA output, 6 ft. cable with NEMA 1-15 plug for North America), and 3 adaptors for international use (Schuko CEE 7/16, BS1362, AS3112).
- **Compatible Devices:**
  - **REQUIRED:**
    - SEQ-P Series (sequencer) triggers relays in a pre-determined order.
  - **OPTIONAL:**
    - RPC-P Series (remote power control) used to control power to equipment from a remote location.
    - USE-210 (rackmount shelf) features mounting holes for devices like RY-P Series relays.

### A&E SPECIFICATIONS

The system shall include Lowell relay module RY-P1, which shall have a contact rating of 5A, 250VAC/30VDC with 1 DPDT relay activated by an external SEQ-P Series sequencer (SEQ-P4 or SEQR-P4, ordered separately). Independent voltage outputs shall be 5VDC, 12VDC and 24VDC, which can be used to trigger any device requiring a DC voltage trigger. The relay module shall have RJ45 jacks to connect to remote power control (RPC-P Series), sequencer (SEQ-P4 or SEQR-P4), or another relay (RY-P1 or RY-P2). The unit shall have a steel chassis (5"L x 1.69"H x 3.28"W) with black finish and mounting holes. It shall include a power supply (100-240VAC input, 24VDC 500mA output) with 6 ft. cable and NEMA 1-15 plug (with several adaptors).

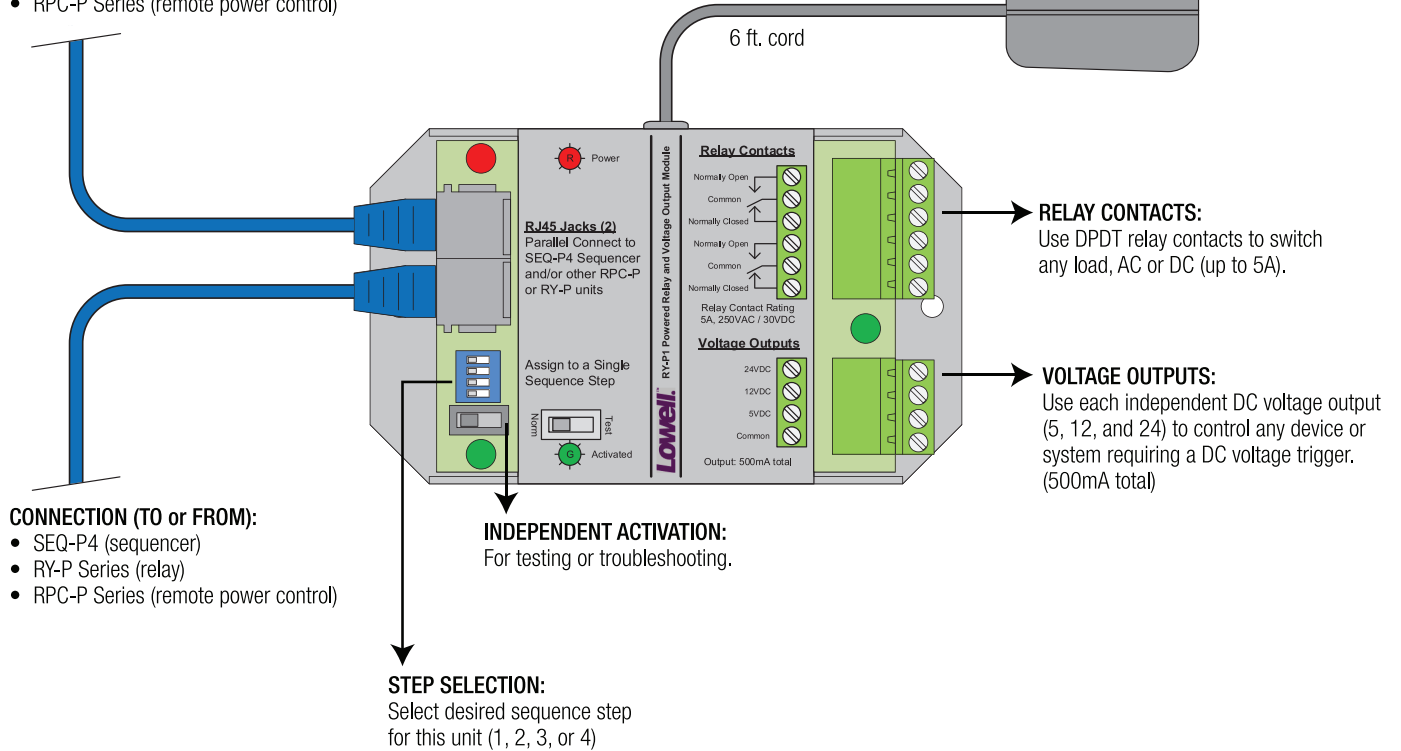
**TECHNICAL DRAWINGS** Dimensions are inches and [mm] unless stated otherwise.

**CONNECTION (TO or FROM):**

- SEQ-P4 (sequencer)
- RY-P Series (relay)
- RPC-P Series (remote power control)

**POWER CONNECTION:**

Connect to any appropriate 100-240VAC 50/60Hz source (some adaptors included).



**CONNECTION (TO or FROM):**

- SEQ-P4 (sequencer)
- RY-P Series (relay)
- RPC-P Series (remote power control)

**COMPATIBLE COMPONENTS**

| Model No.   | Description           | Power Rating    | Input Connection | Output Connection | Output Voltage Rating    | Surge Supp. | Required (not included)* |
|-------------|-----------------------|-----------------|------------------|-------------------|--------------------------|-------------|--------------------------|
| SEQ-P4      | Stand-alone Sequencer |                 | Power supply     |                   |                          |             | SPST sw or DSP conn      |
| SEQR-P4     | Rackmount Sequencer   |                 | Power supply     |                   |                          |             |                          |
| RPC-P15     | Remote Power Control  | 125VAC 15A      | 5-15P cord       | 5-15R duplex      |                          |             | SEQ-P4 or SEQR-P4        |
| RPC-P15-U   | Remote Power Control  | 100-240VAC 15A  | C14 cord         | C13 duplex        |                          |             | SEQ-P4 or SEQR-P4        |
| RPC-P15-S   | Remote Power Control  | 125VAC 15A      | 5-15P cord       | 5-15R duplex      |                          | ✓           | SEQ-P4 or SEQR-P4        |
| RPC-P20-SCD | Remote Power Control  | 125VAC 20A      | 5-20P cord       | 5-20R duplex      |                          | ✓           | SEQ-P4 or SEQR-P4        |
| RPC-P20-SHW | Remote Power Control  | 125VAC 20A      | Flexible whip    | 5-20R duplex      |                          | ✓           | SEQ-P4 or SEQR-P4        |
| RPC-P30-SHW | Remote Power Control  | 125VAC 30A      | Flexible whip    | L5-30R twistlock  |                          | ✓           | SEQ-P4 or SEQR-P4        |
| RY-P1       | Relay (1 DPDT)        | 5A 250VAC/30VDC | Power supply     |                   | 5,12,24VDC 400mA max (1) |             | SEQ-P4 or SEQR-P4        |
| RY-P2       | Relay (2 DPDT)        | 5A 250VAC/30VDC | Power supply     |                   | 5,12,24VDC 400mA max (2) |             | SEQ-P4 or SEQR-P4        |

**SPST SWITCHES for SEQUENCERS (SEQ-P4 or SEQR-P4)**

| Model No. | Description        | Format                               |
|-----------|--------------------|--------------------------------------|
| RPSW-P    | SPST rocker switch | 1g decorator wall plate w/LED, white |
| RPSB-P    | SPST rocker switch | 1g decorator wall plate w/LED, black |
| RPSB-R    | SPST rocker switch | 1U rackmount panel w/LED, black      |
| RPSW-KP   | SPST key switch    | 1g decorator wall plate w/LED, white |
| RPSB-KP   | SPST key switch    | 1g decorator wall plate w/LED, black |
| RPSB-KR   | SPST key switch    | 1U rackmount panel w/LED, black      |

\*Note: Only the first remote power control (RPC-P) or relay (RY-P) in a series requires connection to the SEQ-P4 or SEQR-P4 sequencer.

