

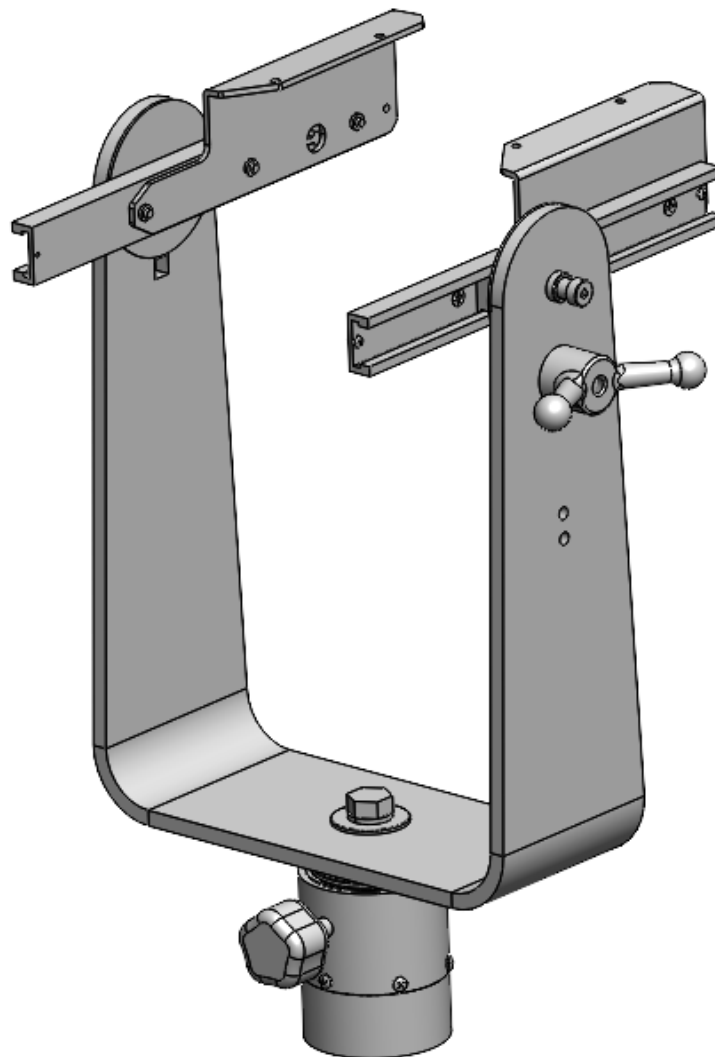
# **CITY THEATRICAL**

**NEW YORK • LONDON**

## **1515 Follow Spot Yoke Chauvet Ovation Ellipsoidal (E-260WW/CW, E-160WW, E-190FC)**

Rev 1.1

© 2022 City Theatrical, Inc.



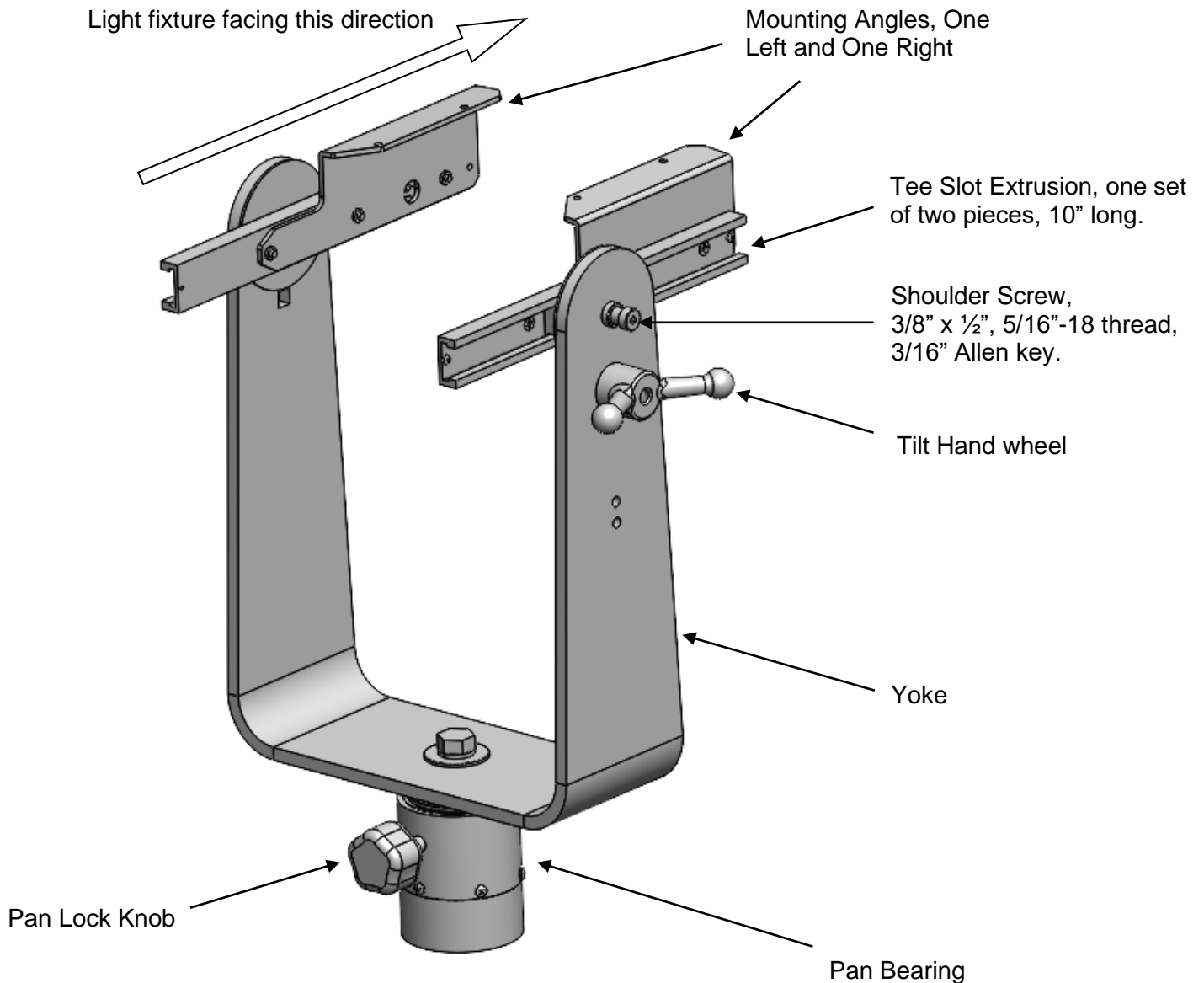
**475 BARELL AVENUE, CARLSTADT, NJ 07072**  
**800/230/9497 201/549/1160 201/549/1161 FAX**  
**www.citytheatrical.com**

## City Theatrical Follow Spot Yoke

### Getting Started with the Follow Spot Yoke for Chauvet Ovation Ellipsoidal

Congratulations on the purchase of your City Theatrical Follow Spot Yoke for Chauvet Ovation Ellipsoidal. The City Theatrical Follow Spot Yoke is a professional quality device that can provide smooth pan and tilt operation to your Chauvet Ovation Ellipsoidal. It works for model E-260WW, E-260CW, E-160WW, and E-190FC. A heavy steel yoke gives mass and prevents vibration, and ball bearings on the pan and tilt create extremely smooth movement, even on very long throws.

The 1515 City Theatrical Follow Spot Yoke can be configured for use with all Chauvet Ovation Ellipsoidal model mentioned above. All lenses from 5° to 50° can be used. A track allows the lighting fixture and most accessories to be perfectly balanced for ease of operation.



## City Theatrical Follow Spot Yoke

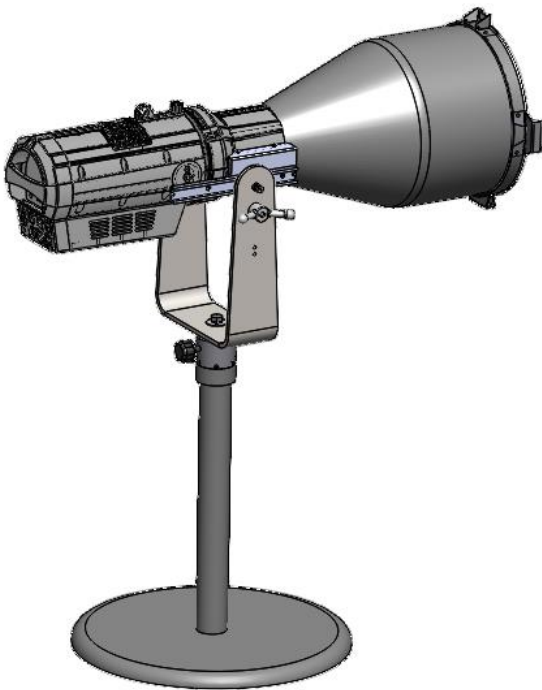
### Mounting your Follow Spot Yoke Ovation Ellipsoidal

The City Theatrical Follow Spot Yoke for Chauvet Ovation Ellipsoidal can be mounted in a variety of ways. The bottom of the pan bearing has female 1 1/2" NPT pipe threads, and any length of 1 1/2" pipe can be threaded into it. Using a 36" piece of 1 1/2" pipe threaded into a 50 lb. boom base is a typical method.

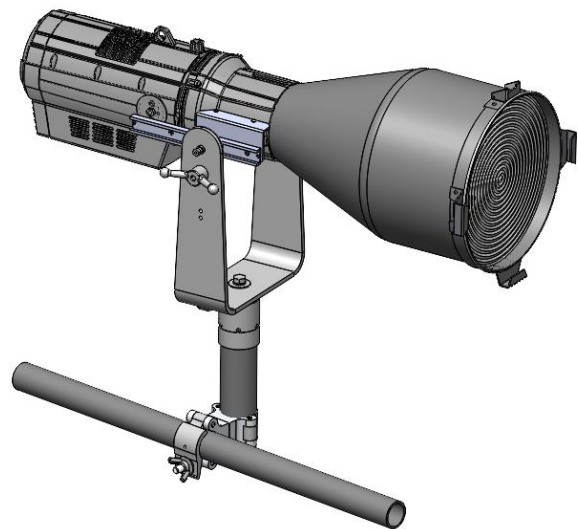
The Follow Spot Yoke can be mounted in a variety of positions, such as:

- On a stand of 1 1/2" pipe with a boom base
- Underhung from a pipe
- Overhung on a hand rail

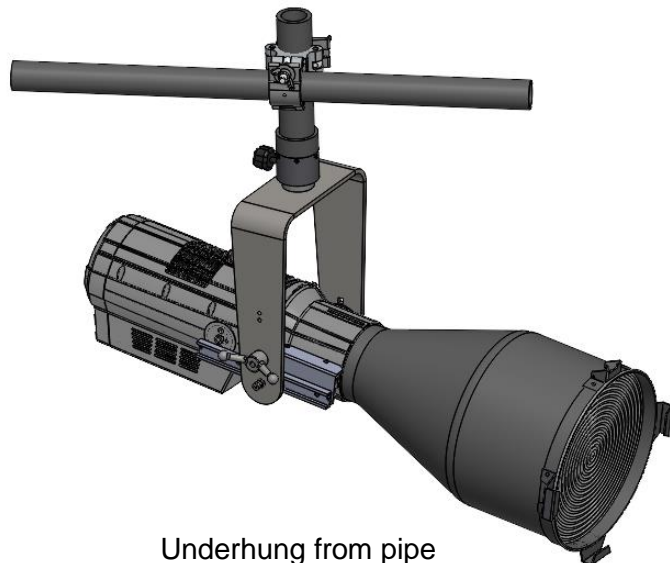
These diagrams illustrate three possible hanging methods:



Pipe and base mount



Overhung on  
handrail



Underhung from pipe

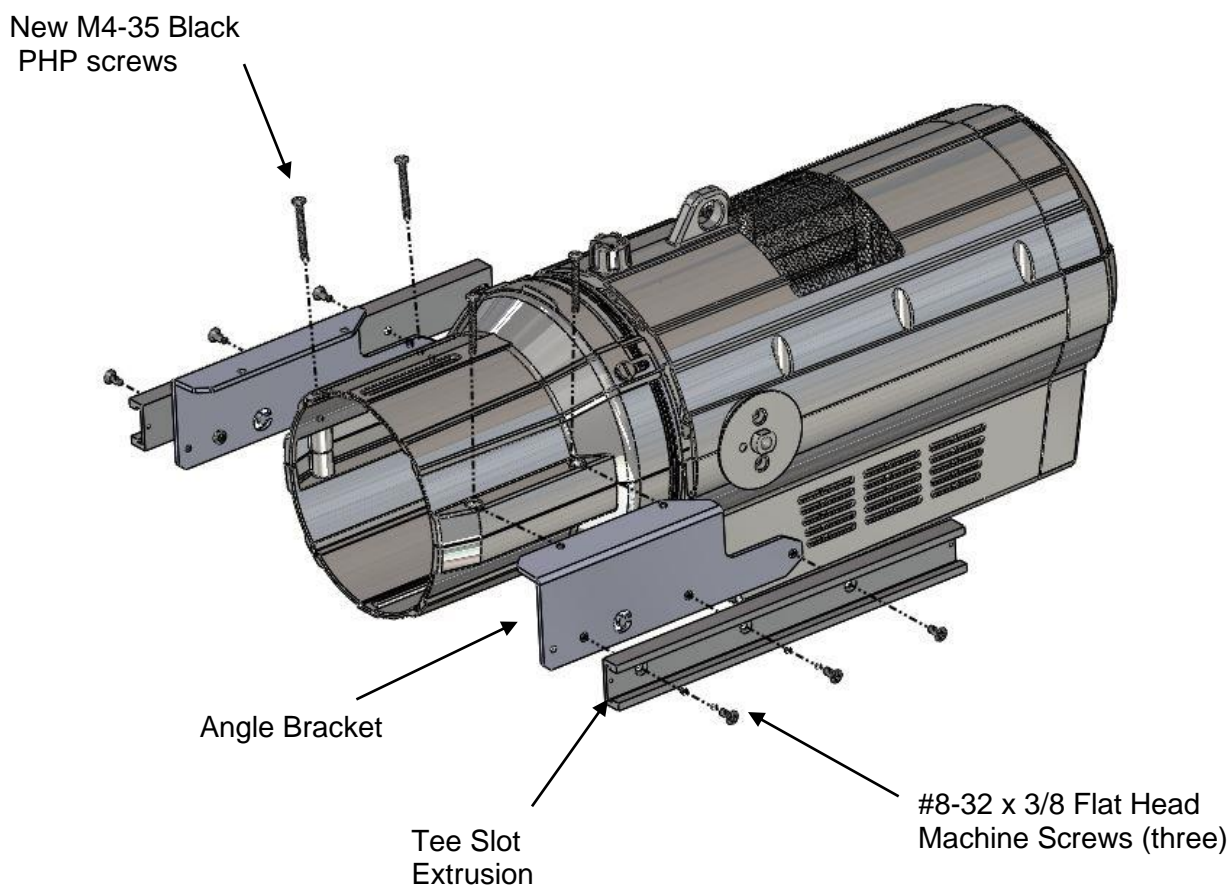
## City Theatrical Follow Spot Yoke

### Preparing Your Lighting Fixture

Remove the shutters by removing the four machine screws which hold the two halves of the barrel together and exposing the shutter, pressure plate, and shutter spring parts. In order to install the Angle Brackets, all shutter blades have to be removed, then reinstall the pressure plates and springs. Do not reinstall the existing four machine screws into the barrel. Go on the next step:

Two Angle Brackets allow your Ovation Ellipsoidal to be installed in the Follow Spot Yoke. Replace the four M4 screws with the enclosed M4-35 black pan head Philips screws into the barrel's existing M4 thread.

Next, install the two Tee Slot Extrusions using the enclosed #8-32 x 3/8" flat head Philips machine screws (three screws per extrusion) as shown in the illustration below.



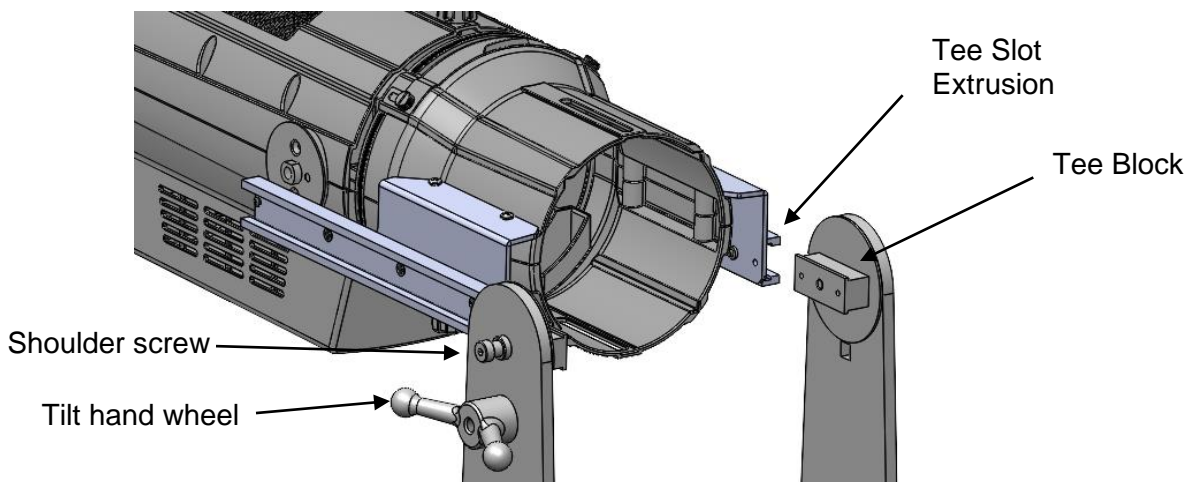
### Note:

1. Please make sure the M4-35 screws go the same direction as the original ones because only half of this barrel has thread on it.

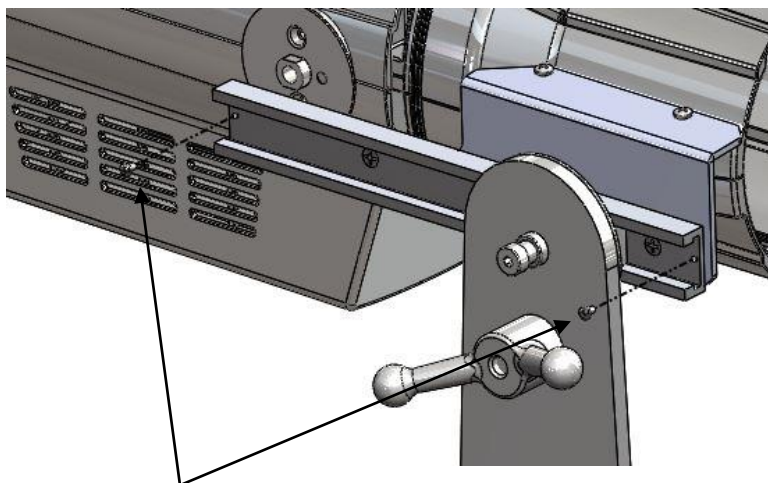
## City Theatrical Follow Spot Yoke

### Installing the Ovation Ellipsoidal into the Follow Spot Yoke

Note the two Tee Blocks that slide into the Tee Slot Extrusion. Using a 3/16" Allen key, slightly loosen the two 3/8" x 1/2" socket head shoulder screws to free the Tee Blocks. Carefully insert the Tee Slot Extrusions onto the Tee Blocks. Tighten the tilt hand wheel. Temporarily tighten the shoulder screws.



Install four 4-40 x 3/16" pan head machine screws, one in each end of each Tee Slot Extrusion. These screws serve as safety devices to prevent the Tee Blocks from accidentally slipping out of the Tee Slot Extrusion track.



#4-40 x 3/16" machine screws

### Install the Lens Tube into the Ovation Ellipsoidal

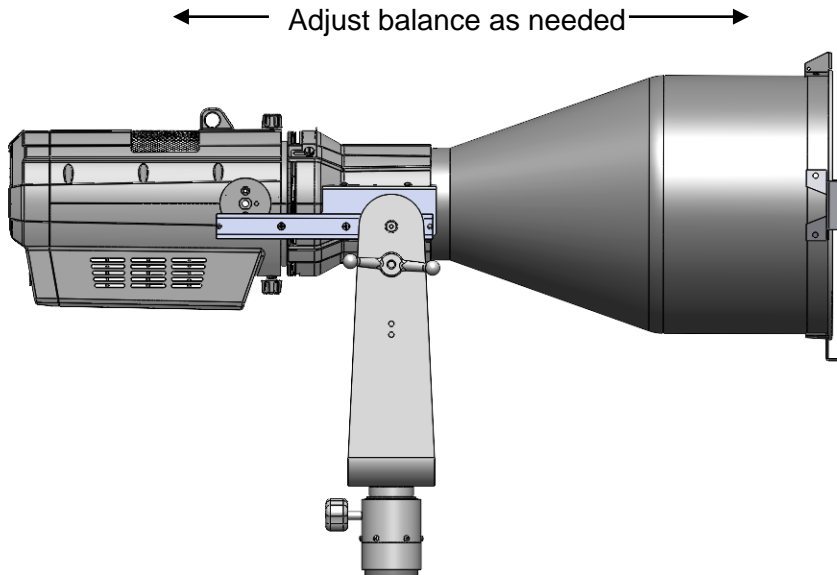
Install the Lens Tube into the Ovation Ellipsoidal and install the two 1/4"-20 plastic thumbscrews to hold the Lens Tube to the lighting fixture. Plug in the lighting fixture into a switch and dress the cable to ensure that it does not restrict the yoke's movement or its balance. Turn on the lighting fixture and adjust the sharpness of the beam to the degree that you think is appropriate.

### Balance the Lighting Fixture in the Yoke

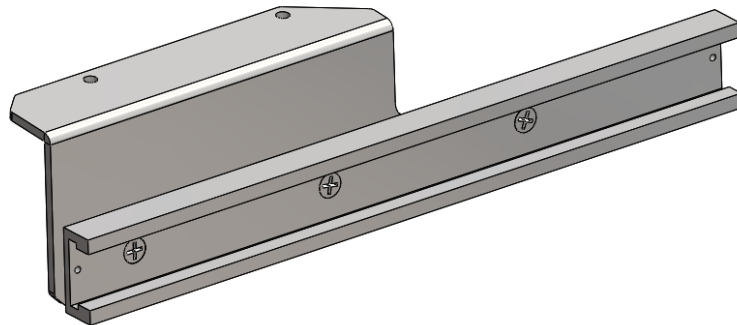
The lighting fixture can be adjusted forward or backward in the Tee Slot Extrusion to establish a perfect balance point. To test the balance, carefully loosen the tilt locking knob and feel if the fixture is front heavy or back heavy. To adjust the balance, loosen the two shoulder

## City Theatrical Follow Spot Yoke

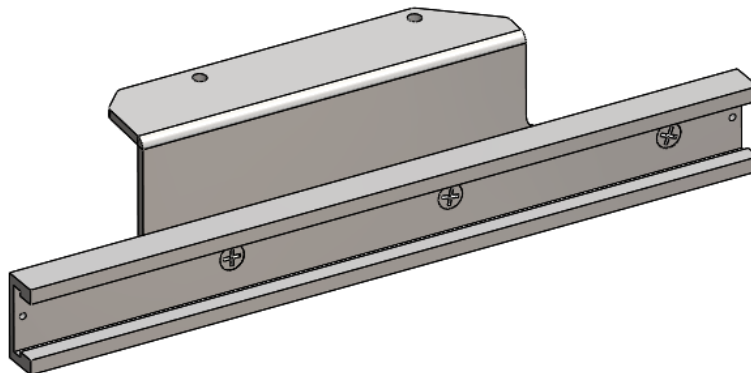
screws and evenly push the fixture forward or backward in the Tee Slot Extrusion until it balances exactly. Lock the shoulder screws again. Test and repeat if necessary.



Although the Angle Bracket and Tee Slot Extrusion were assembled for the most common position for optimal balance, you may encounter a balance issue. If you encounter a front heavy condition after attaching accessories to your Ovation Ellipsoidal, you can reverse the Tee Slot Extrusion to allow front heavy accessories to balance better, as shown below:



Normal Installation



Reverse Installation

## City Theatrical Follow Spot Yoke

### Using Other City Theatrical Accessories with Your Follow Spot Yoke

City Theatrical has created a range of accessories to make your Follow Spot more versatile and easier to operate.

Part Number	Name	Use
2180	Drop-In Iris	Change size of beam

