

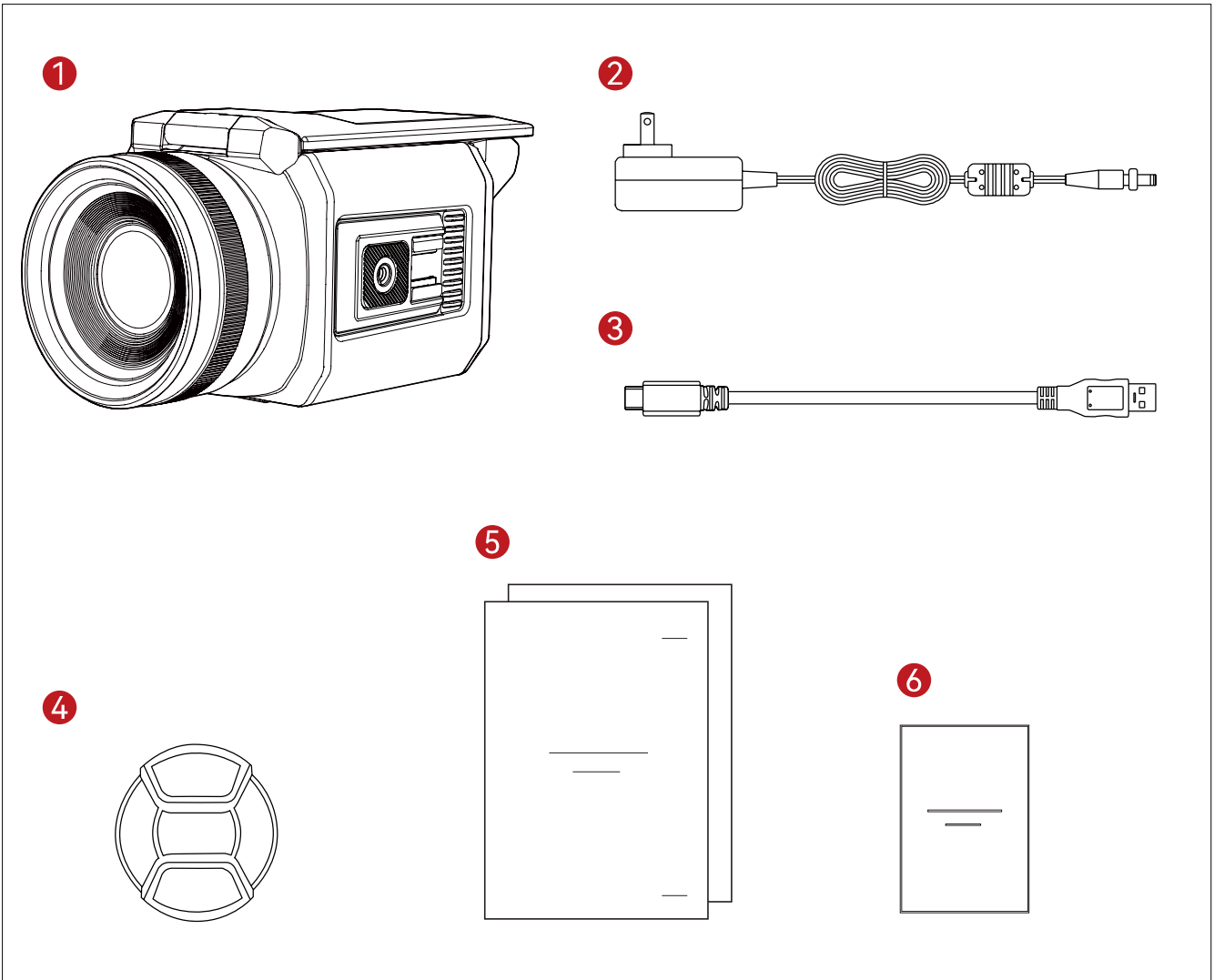
# VenusLiv V2

## User Manual

V1.0.2

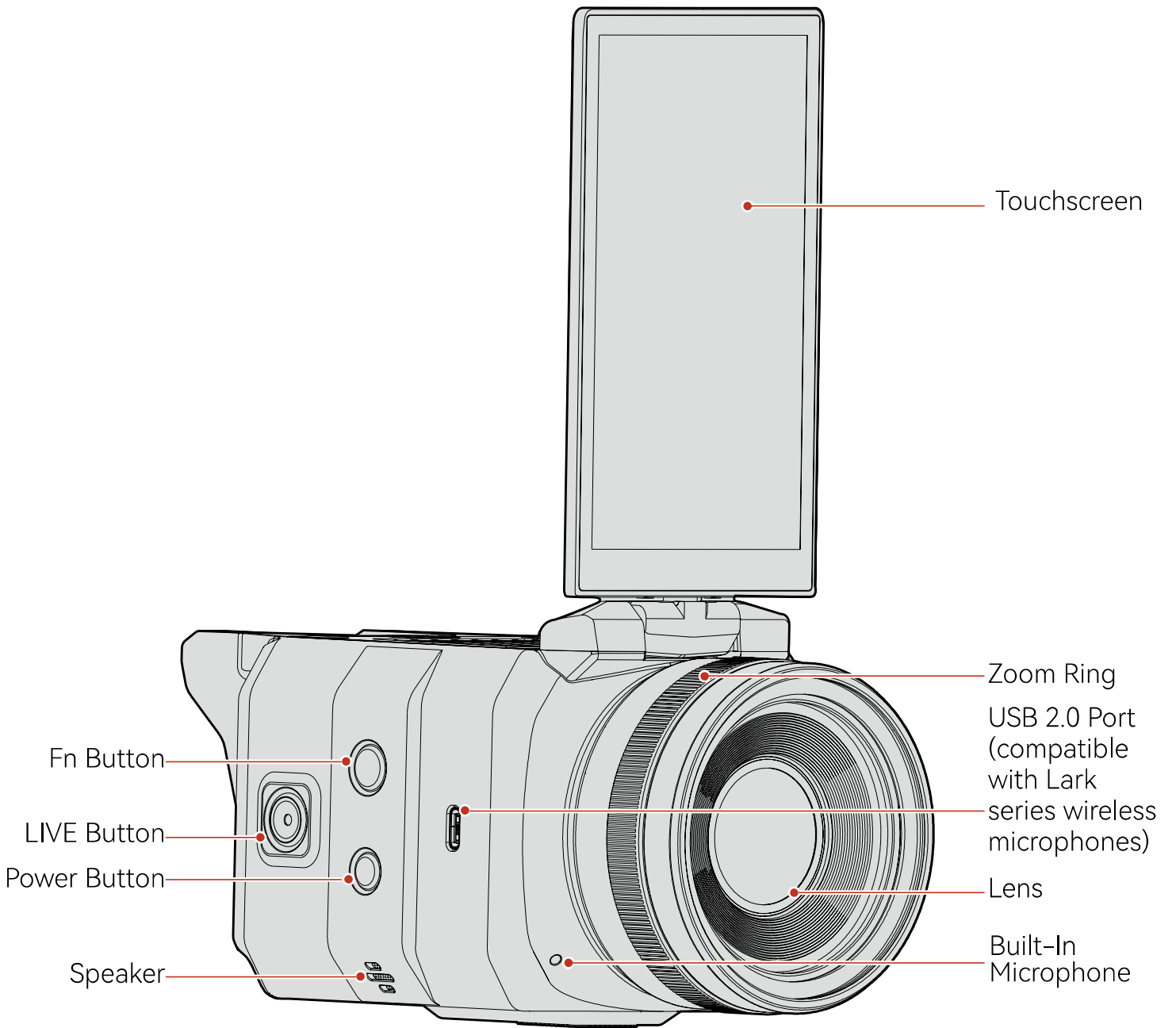


# Packing List

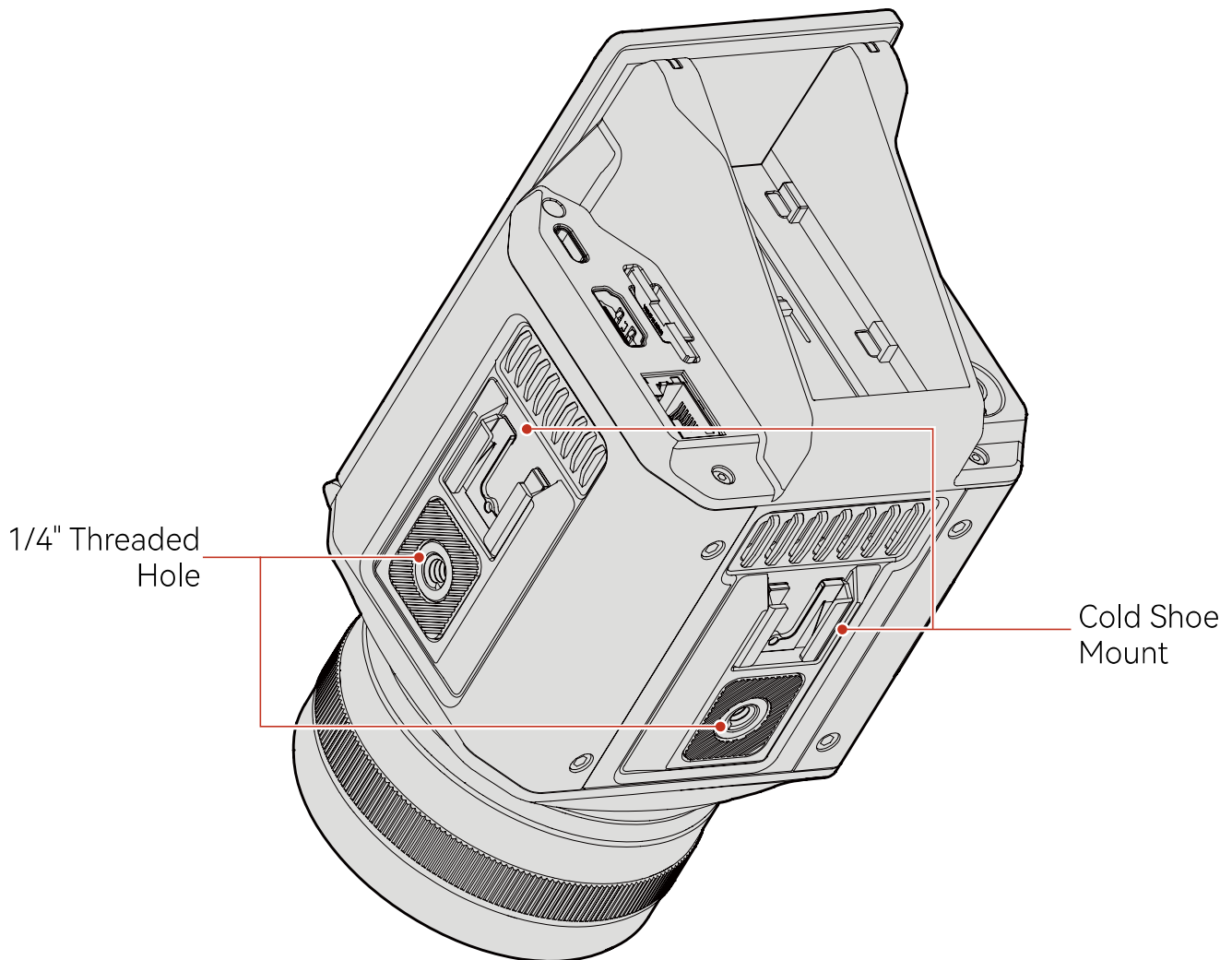
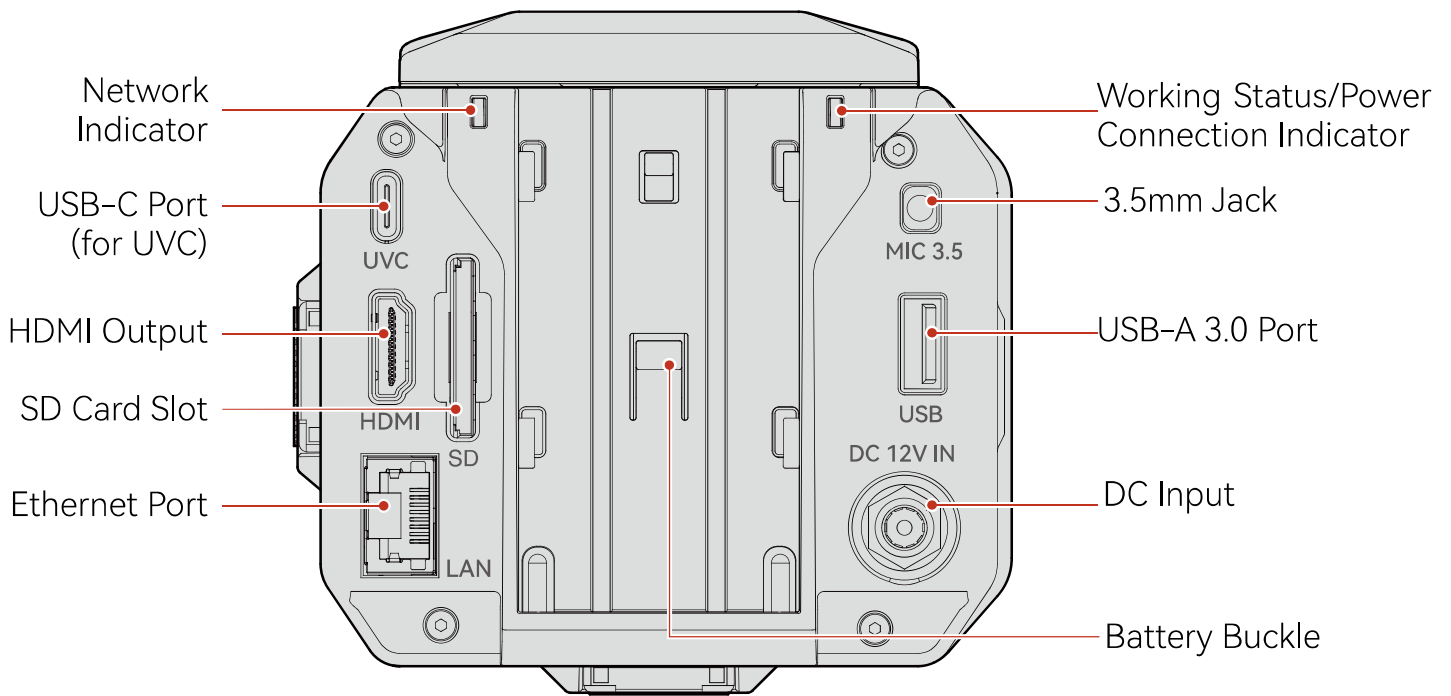


① VenusLiv V2	1
② 12V/2A Power Adapter	1
③ USB Cable	1
④ Lens Cap	1
⑤ User Manual & Packing List card	1
⑥ Warranty Card	1

# Product Overview



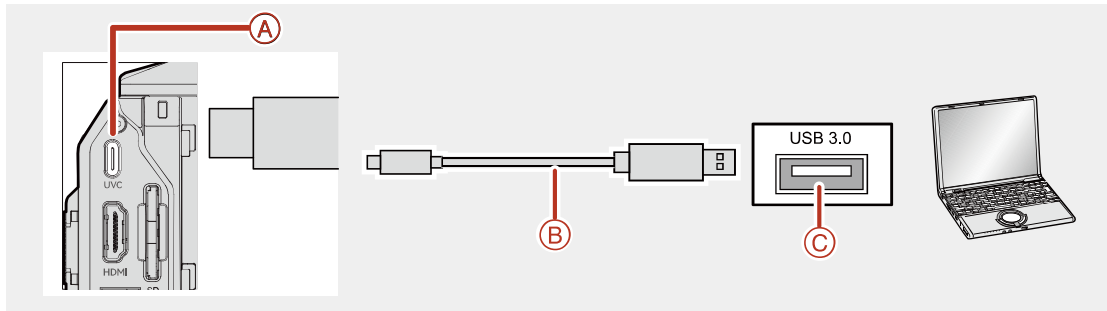
# Product Overview




# Streaming Introduction

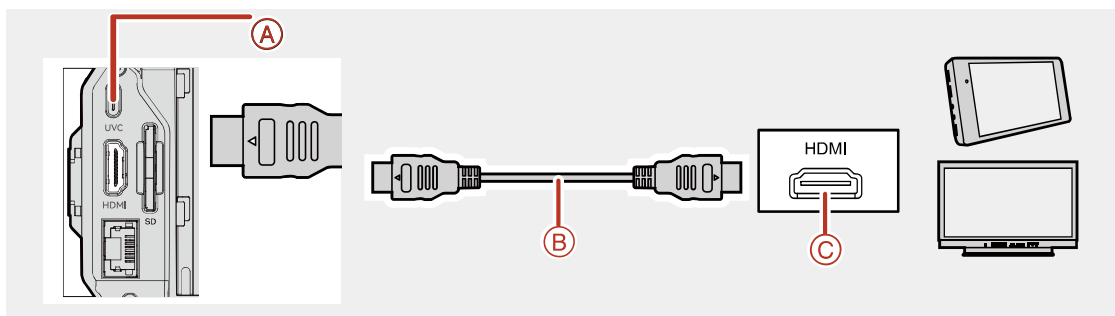
## UVC Streaming

1. Connect the camera to a computer using a USB cable; ensure that both the computer's USB port and the cable support the 3.0 standard.
2. Open the streaming software on the computer.
3. Select **Hollyland PRO CAM** as the video source and **Hollyland** as the audio source, then start streaming.



## Streaming via Switcher

1. Connect the camera to a switcher using an HDMI 1.4 or higher cable.
2. Tap , choose **More Settings**, and select **Extend**. It is not recommended to use **Mirroring** for streaming.
3. After the switcher displays video and audio readings, make sure the switcher is connected to the network, enter the streaming URL, and then start streaming.



## RTMP Streaming

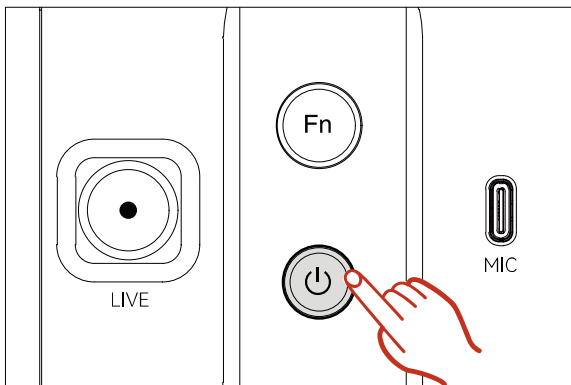
1. Make sure the camera is connected to the network.
2. Open the RTMP app, and tap **Add** to enter the streaming URL to start streaming.

# Product Introduction

## Button Introduction

### 1. Power Button

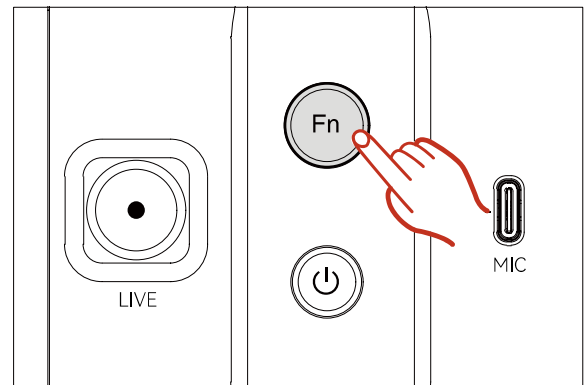
- Long press for 3s to power on/off the camera.



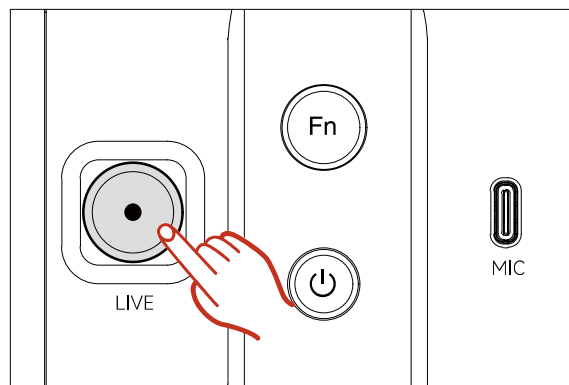
### 2. Fn Button

- Press once to show/hide the volume bar.

### 3. LIVE Button

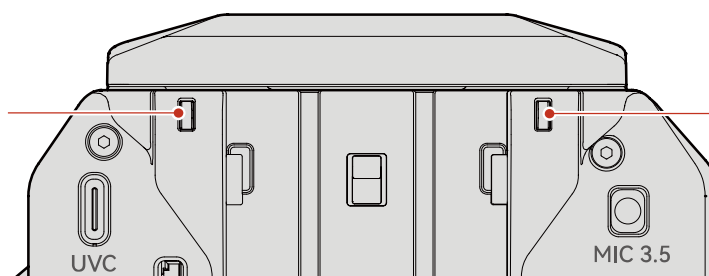


- Press once to open the most recently used app.
- Press once on the built-in camera app's interface to take photos or record videos. Make sure an SD card or USB flash drive is inserted.



## Indicator Introduction

Network Indicator



Working Status/  
Power Connection  
Indicator

