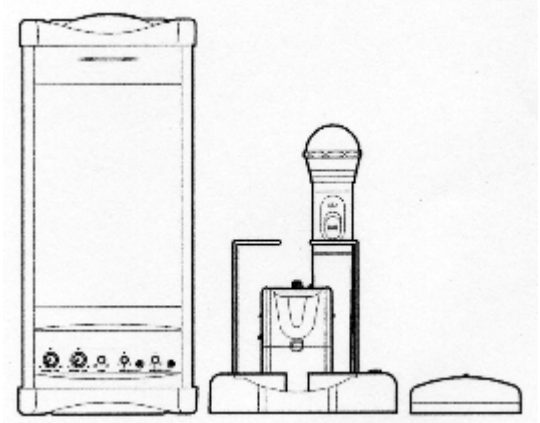


Specifications:

Quantum II

Infrared sound field system



Description

Wireless infrared speaker column system designed to clarify the instructor's voice for all students.

Key Features

- Infrared dual-channel receiving system with quartz-locked fixed frequency
- Latest SMT technology assembly and tone key squelch
- Advanced diode design eliminates dropouts for optimum sound quality
- Easy to install and operate
- Great sound quality and plenty of power
- Two channels allow for team teaching or a pass-around microphone
- Auxiliary line input for CD or tape player
- Auxiliary line output for personal FM system

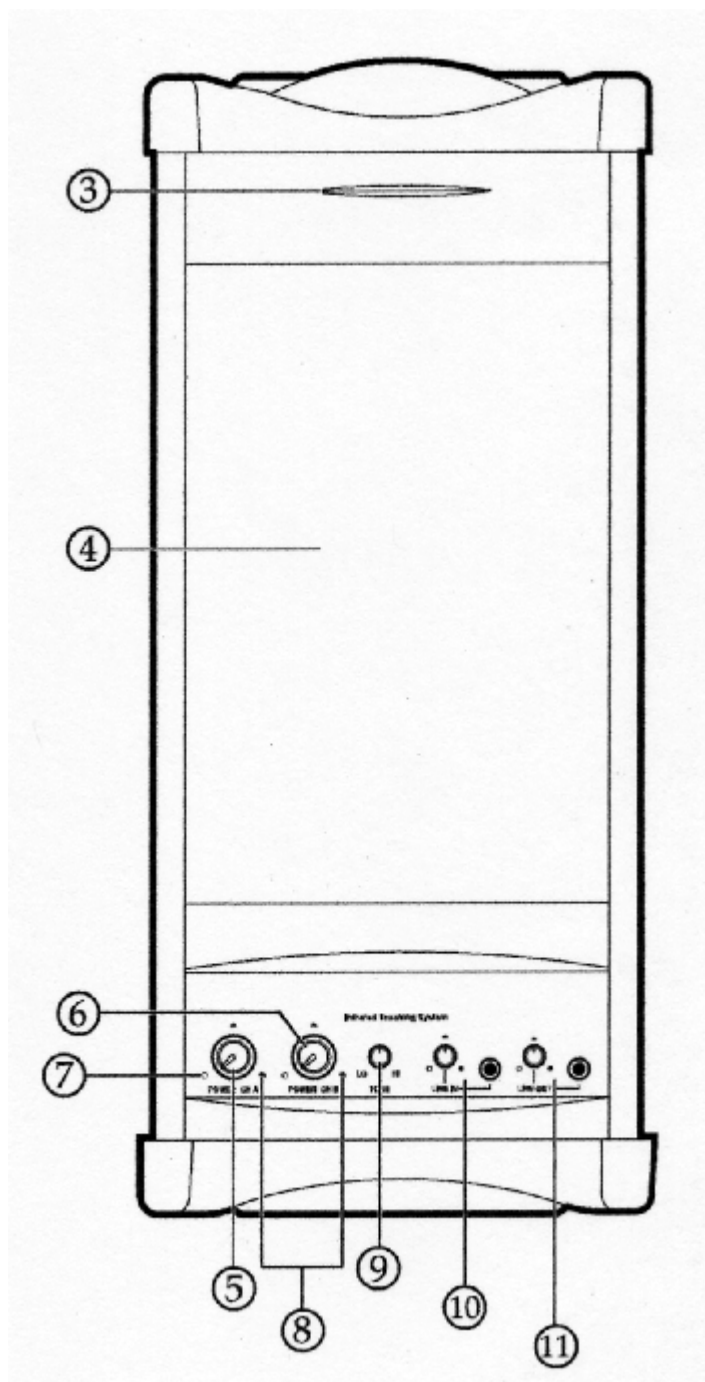
Transmitter Options

- Handheld microphone
- Pendant transmitter with LM-300 plug-in microphone
- Body-pack transmitter with separate microphone
- Microphone choices; headband, collar, lapel or plug-in LM-300

Warranty

Five year warranty

Column Amplified Speaker: IRC-320



Specifications:

Overall System:

Volume Controls:

- .. Two IR wireless (channel A & B)
- .. Auxiliary input
- .. Auxiliary output
- .. Tone control

Rated Power Output:

- .. 30 watts

Input:

- .. Auxiliary 3.5mm phone jack

Output:

- .. 3.5mm phone jack

Built-in sensor, also 2 external sensors inputs with RCA connectors

Frequency:

- .. 2.08 MHz (ch. A), 2.54 MHz (ch. B)

Modulation:

- .. FM

Frequency response:

- .. 100Hz-12KHz

S/N Ratio:

- .. more than 70dB

Max. Deviations:

- .. ± 25 KHz

Receiving Range:

- .. over 50 feet (Direct Line)

Power Supply:

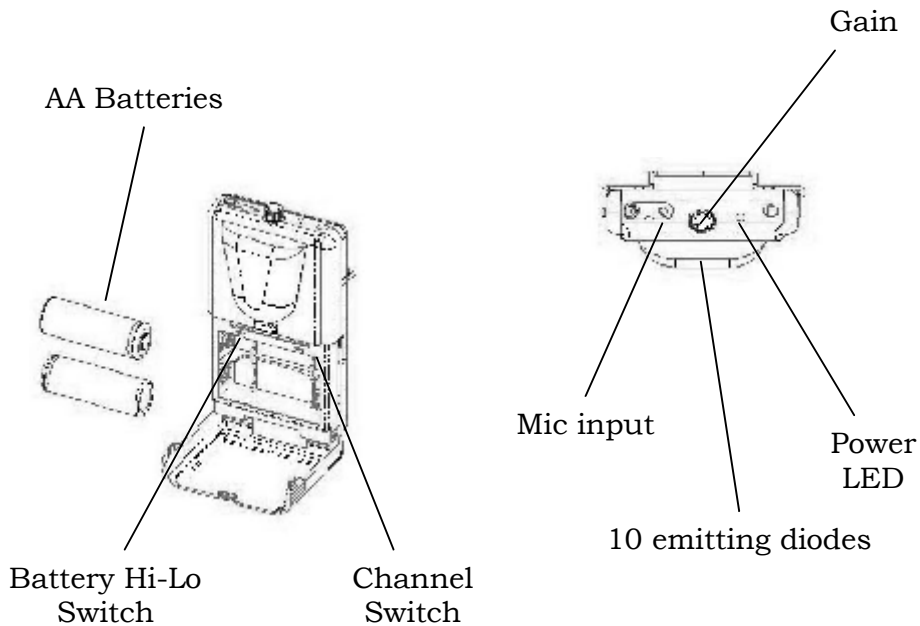
- .. 15V / 2.8A transformer

Dimensions:

- .. 6" W x 12" H x 4" D

3. Infrared receiving diodes (10 diodes)
4. Five inch speaker
5. Power ON/Off switch, channel A volume control
6. Channel B volume control
7. Power LED
8. Channel A & B transmission LED
9. Tone control
10. Auxiliary input and volume control
11. Auxiliary output and volume control

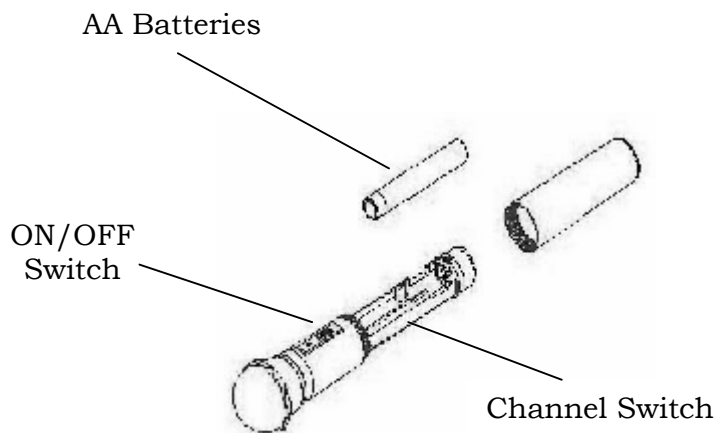
Body-Pack Transmitter: IRB-30



Specifications:

Transmitting frequency:
... 2.08 MHz & 2.54 MHz (switchable)
Modulation:
... FM wide-band
Transmitting diodes:
... 10 Diodes
Operating range:
... One ceiling sensor 2,500ft²
... Two wall bubble sensor 2,300ft²
Audio distortion:
... 0.3% (+ 10kHz deviation @ 1kHz)
IR emission wavelength:
... 850~870 nm
User controls:
... On/Off/Channel/Battery hi-lo
Inputs: 3.5mm mic input; 1.3mm
Battery life:
... Min. 8 hours (two AA 2650mAh NiMH)
LED:
... Green -good power
... Red - low battery
Weight: 4.8 oz. (with batteries)
Case: ABS plastics

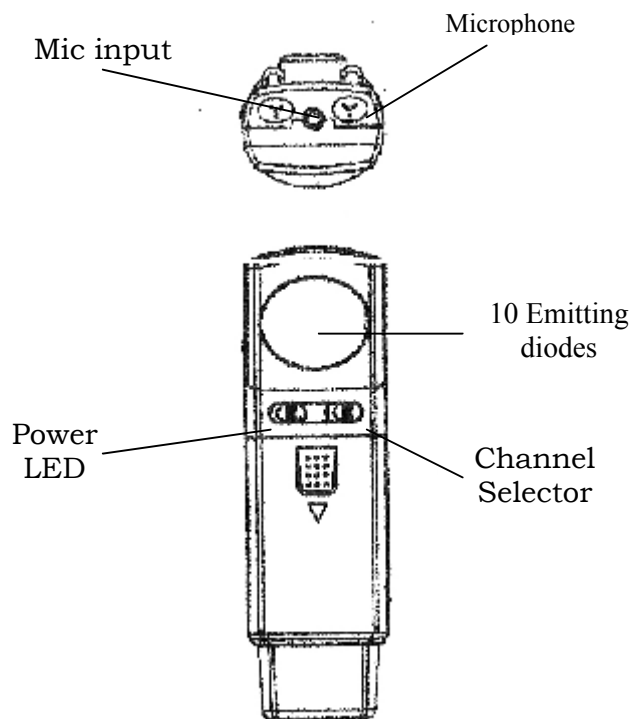
Handheld Transmitter: IRH-30



Specifications:

Transmitting frequency:
... 2.08 MHz & 2.54 MHz (switchable)
Modulation:
... FM wide-band
Transmitting diodes:
... 10 Diodes
Operating range:
... 1 ceiling sensor 2,500ft²
... 2 wall bubble sensor 2,300ft²
Audio distortion:
... 0.3% (+ 10kHz deviation @ 1kHz)
IR emission wavelength:
... 850~870 nm
User controls:
... On/Off/Channel
Battery life:
... Min. 7 hours (two AA 2650mAh, NiMH)
LED Indicator:
... Green -good power
... Red - low battery
Weight: 11.4 oz. (with batteries)
Case: Aluminum

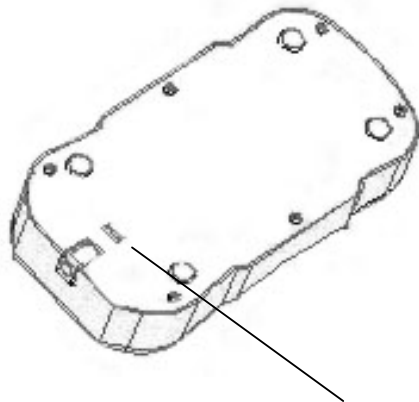
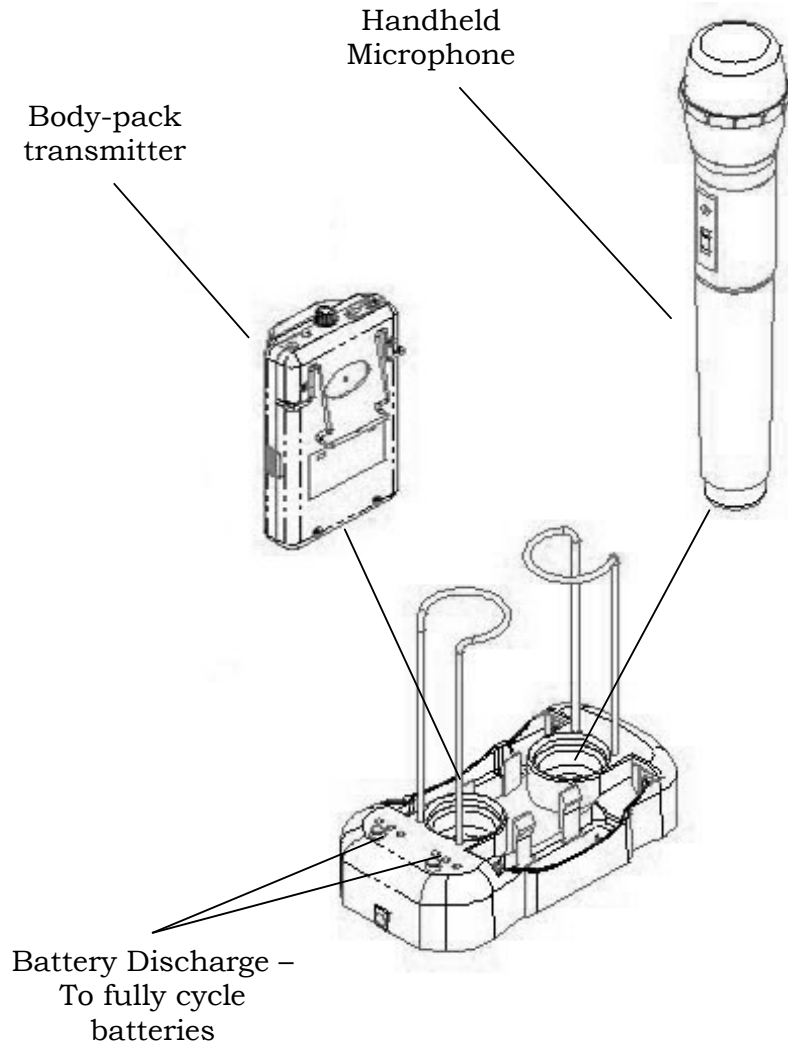
Pendant Transmitter: IRT-89



Specifications:

Transmitting frequency:
... 2.08 MHz & 2.54 MHz (switchable)
Modulation:
... FM wide-band
Transmitting diodes:
... 10 Diodes
Operating range:
... One ceiling sensor 2,500ft²
... Two wall bubble sensor 2,300ft²
Audio distortion:
... 0.3% (+ 10kHz deviation @ 1kHz)
IR emission wavelength:
... 850~870 nm
User controls:
... On/Off/Channel/Battery hi-lo
Inputs: 3.5mm mic input; 1.3mm
Battery life:
... Min. 8 hours (two AA 2650mAh NiMH)
LED:
... Green -good power
... Red - low battery
Weight: 4.8 oz. (with batteries)
Case: ABS plastics

Drop-In Battery Charger: BRC-30



Specifications:

Dual Slot Charger:

Charges two IRH-30 handheld microphones and two IRB-30 body-pack transmitter.

Discharging:

.. Two buttons (yellow) to fully cycle batteries

Charging Buzzer:

.. ON/OFF switch, buzz's when batteries are fully charged

Charging Speed:

.. 400mA / hour

Charging time: NiMH about 7 hours

Power Supply:

.. 12V / 1000mA adapter

Weight: 2 lbs.